

INSTALLATION INSTRUCTIONS

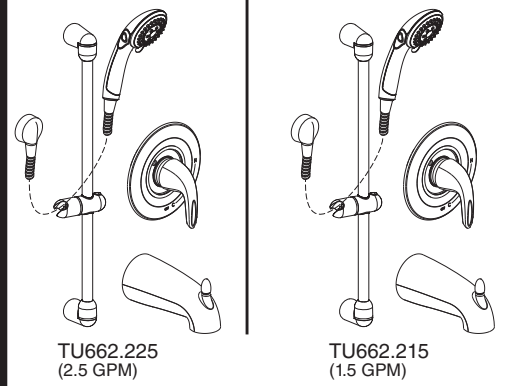
COMMERCIAL SHOWER SYSTEM KITS: 1.5 gpm & 2.5 gpm

TU662.225
TU662.215

Thank you for selecting American Standard...
the benchmark of fine quality for over 140 years.

To ensure that your installation proceeds smoothly-please read
these instructions carefully before you begin.

Installation must conform to all local building codes.

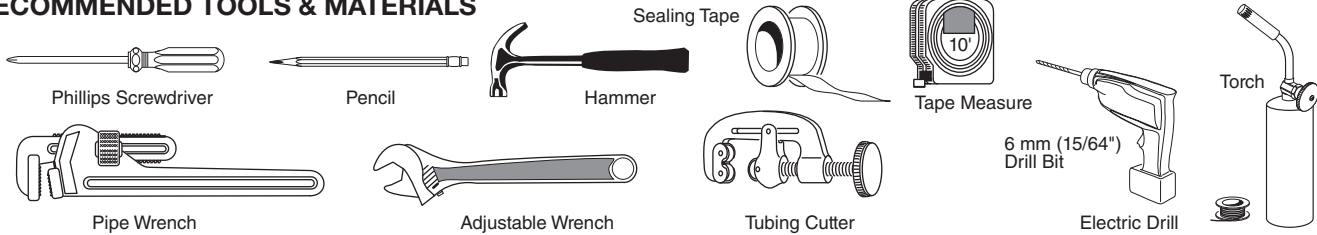


TU662.225
(2.5 GPM)

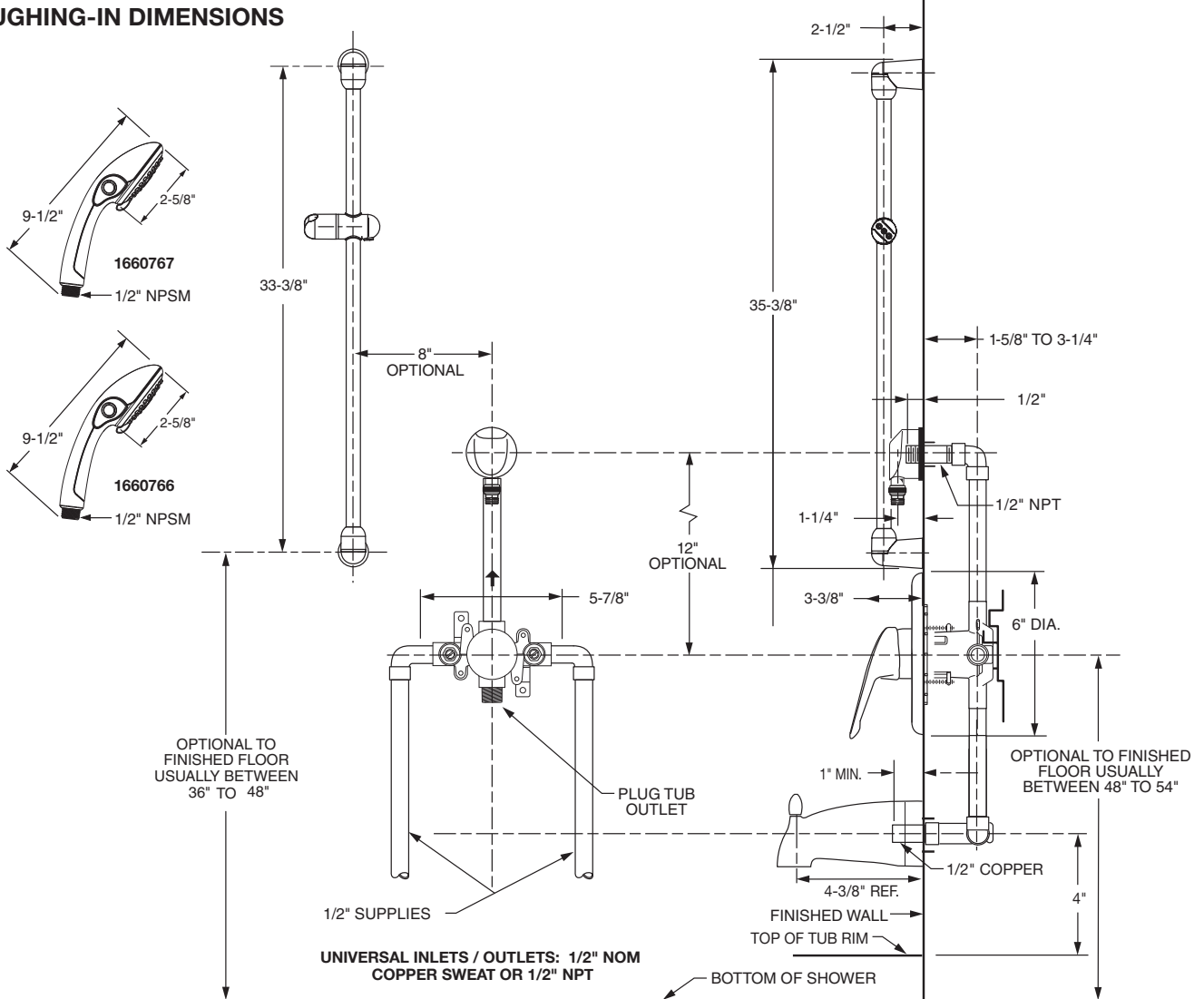
TU662.215
(1.5 GPM)

Certified to comply with ANSI A112.18.1

RECOMMENDED TOOLS & MATERIALS



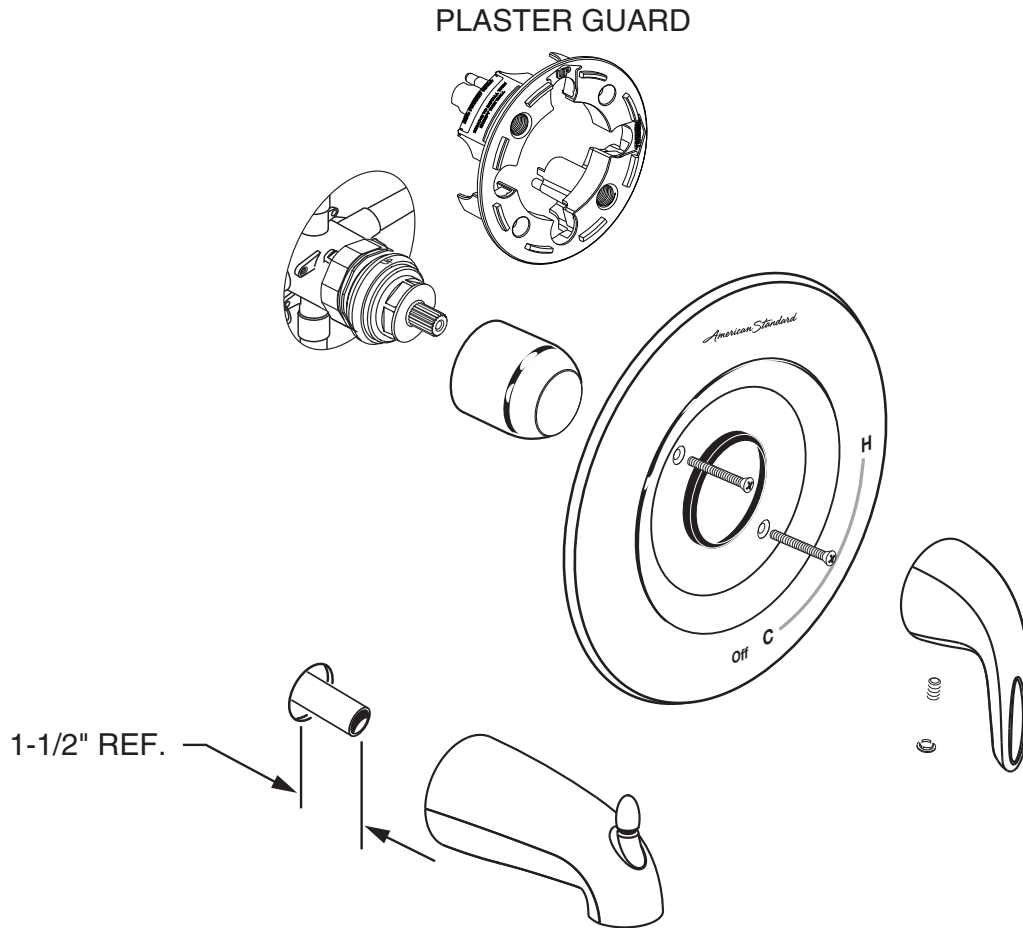
ROUGHING-IN DIMENSIONS



1 INSTALL VALVE TRIM

**NOTE: REFER TO INSTALLATION INSTRUCTIONS (M965937)
SUPPLIED WITH VALVE TRIM KIT FOR COMPLETE
INSTALLATION AND REPAIR PART INFORMATION.**

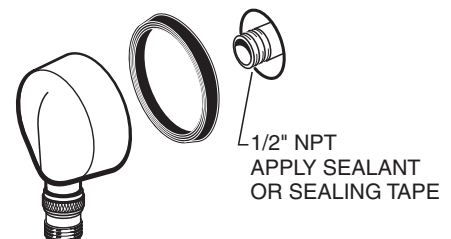
- When finished tiling the wall, remove PLASTER GUARD.



2 INSTALL WALL SUPPLY

**NOTE: REFER TO INSTALLATION INSTRUCTIONS (M968637)
SUPPLIED WITH WALL SUPPLY FOR COMPLETE
INSTALLATION AND REPAIR PART INFORMATION.**

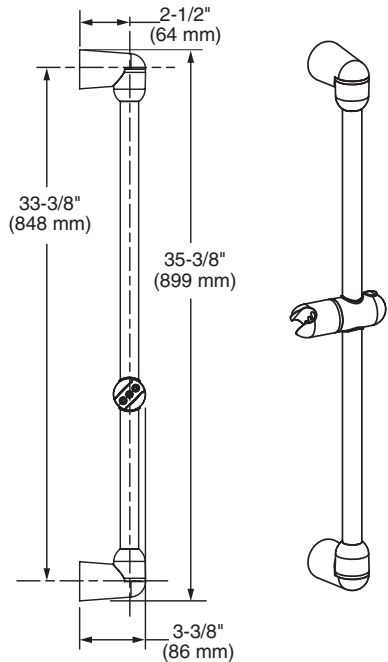
- Supply to WALL SUPPLY is 1/2" NPT. See rough-in above for detailed information.
- Apply sealant or sealing tape to threads of 1/2" NPT supply nipple.



3 INSTALL HAND SHOWER SLIDE BAR

NOTE: REFER TO INSTALLATION INSTRUCTIONS (M968637) SUPPLIED WITH SHOWER SYSTEM KIT FOR COMPLETE INSTALLATION AND REPAIR PART INFORMATION.

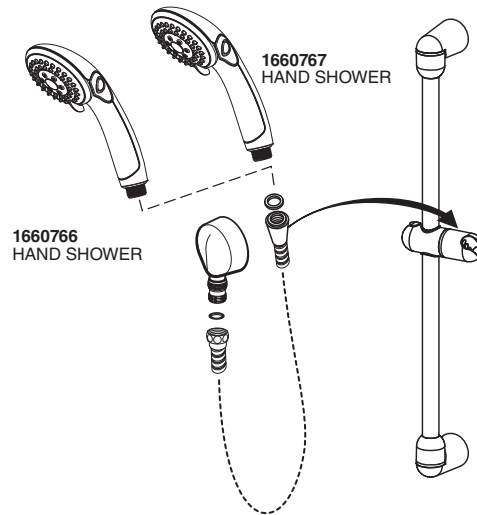
- The height and location of the SLIDE BAR is optional.



4 INSTALL HOSE AND HAND SHOWER TEST SHOWER SYSTEM

NOTE: REFER TO INSTALLATION INSTRUCTIONS (M968637) SUPPLIED WITH SHOWER SYSTEM KIT FOR COMPLETE INSTALLATION AND REPAIR PART INFORMATION.

- Place the HAND SHOWER into the SLIDE BAR after all hose connections are made. The installation of the SHOWER SYSTEM KIT is now complete.
- Turn on water supplies and check all functions of of the SHOWER SYSTEM KIT. Check for any leaks.



CARE INSTRUCTIONS:

DO: SIMPLY RINSE THE PRODUCT CLEAN WITH CLEAR WATER. DRY WITH A SOFT COTTON FLANNEL CLOTH.

DO NOT: DO NOT CLEAN THE PRODUCT WITH SOAPS, ACID, POLISH, ABRASIVES, HARSH CLEANERS, OR A CLOTH WITH A COARSE SURFACE.

American Standard

RELIANT 3 PRESSURE BALANCING BATH AND SHOWER TRIM KIT

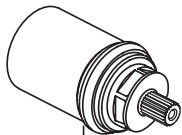
MODEL NUMBER

TU385500WD

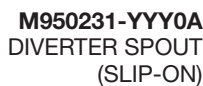
PURCHASE SEPARATELY



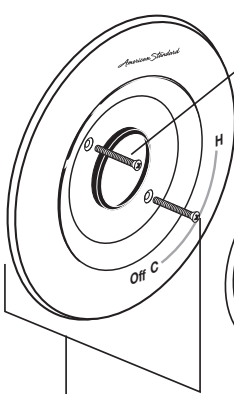
M970640-0070A
BACK-TO-BACK
CARTRIDGE



M970410-0070A
CARTRIDGE



M950231-YYY0A
DIVERTER SPOUT
(SLIP-ON)



M962490-YYY0A
ESCUTCHEON AND SCREWS



078016-YYY0A
ESCUTCHEON SCREWS



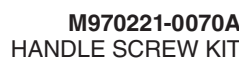
M909338-0070A
DECAL FOR THE
WD VERSION



M907050-YYY0A
ESCUTCHEON CAP SET



M970457-0070A
HANDLE ADAPTER KIT



M970221-0070A
HANDLE SCREW KIT



M970487-YYY0A
LEVER HANDLE KIT