

For Commercial Applications

Job Name _____

Contractor _____

Job Location _____

Approval _____

Engineer _____

Contractor's P.O. No. _____

Approval _____

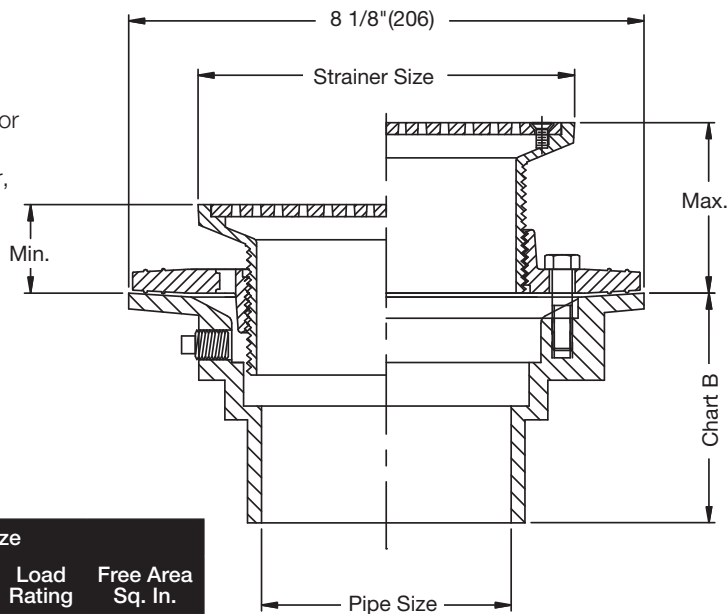
Representative _____

Tag _____

FD-100-A Floor Drain With Round Strainer

Specification

Watts FD-100-A epoxy coated cast iron floor drain with anchor flange, reversible clamping collar with primary and secondary weepholes, adjustable round heel proof nickel bronze strainer, and no hub (standard) outlet.



Pipe Sizing (Select One)	
Suffix	Description
2	2" (51) Pipe Size <input type="checkbox"/>
3	3" (76) Pipe Size <input type="checkbox"/>
4	4" (102) Pipe Sizes <input type="checkbox"/>
6	6" (152) Pipe Size (No Hub Only) <input type="checkbox"/>

Outlet Type (Select One)	
Suffix	Description
NH	No Hub (MJ) <input type="checkbox"/>
P	Push On <input type="checkbox"/>
T	Threaded Outlet <input type="checkbox"/>
X	Inside Caulk <input type="checkbox"/>

Strainer (Select One)	
Suffix	Description
A5	5" (127) Dia., Nickel Bronze <input type="checkbox"/>
A6	6" (152) Dia., Nickel Bronze <input type="checkbox"/>
A7	7" (178) Dia., Nickel Bronze <input type="checkbox"/>
A8	8" (203) Dia., Nickel Bronze <input type="checkbox"/>
A10	10" (254) Dia., Nickel Bronze <input type="checkbox"/>

Options (Select One)	
Suffix	Description
-5	Sediment Bucket <input type="checkbox"/>
-6	Vandal Proof <input type="checkbox"/>
-7	Trap Primer Tapping <input type="checkbox"/>
-8	Backwater Valve (2, 3, 4" Only) <input type="checkbox"/>
-13	Galvanized Body <input type="checkbox"/>
-15	Strainer Extension (DD-50) <input type="checkbox"/>
-F4-50	4" Round Cast Iron Funnel <input type="checkbox"/>
-F4-1	4" Round Nickel Bronze Funnel <input type="checkbox"/>
-F6-1	6" Round Nickel Bronze Funnel <input type="checkbox"/>
-G-50	4x9" Oval Cast Iron Funnel <input type="checkbox"/>
-G-1	4x9" Oval Nickel Bronze Funnel <input type="checkbox"/>
-SO	Side Outlet <input type="checkbox"/>

Strainer Size				
Str. Dia.	Min.	Max.	Load Rating	Free Area Sq. In.
5" (127)	13/16" (21)	3 1/4" (83)	*MD	8
6" (152)	7/8" (22)	3 3/8" (86)	*MD	9
7" (178)	11/16" (17)	3 1/4" (83)	*MD	12
8" (203)	7/8" (22)	3 1/4" (83)	*MD	18
10" (254)	1 1/4" (32)	3 1/4" (83)	*MD	28

Chart B					
Pipe Size	Std. No Hub	P Push On	T Female Thread	X Inside Caulk	60/61 PVC/ABS
2" (52)	3 5/8" (92)	4 1/4" (108)	4 1/4" (108)	4 1/2" (114)	4" (102)
3" (76)	3 5/8" (92)	4 1/4" (108)	4 1/4" (108)	4 1/2" (114)	4" (102)
4" (102)	3 5/8" (92)	4 1/4" (108)	4 1/4" (108)	4 1/2" (114)	4" (102)
6" (152)	3 1/2" (89)				

Optional Body Material	
Suffix	Description
-60	PVC Body w/Socket Outlet <input type="checkbox"/>
-61	ABS Body w/Socket Outlet <input type="checkbox"/>

Please refer to watts.com for BAA information on specific models.

NOTICE

The information contained herein is not intended to replace the full product installation and safety information available or the experience of a trained product installer. You are required to thoroughly read all installation instructions and product safety information before beginning the installation of this product.

Watts product specifications in U.S. customary units and metric are approximate and are provided for reference only. For precise measurements, please contact Watts Technical Service. Watts reserves the right to change or modify product design, construction, specifications, or materials without prior notice and without incurring any obligation to make such changes and modifications on Watts products previously or subsequently sold.



USA: T: (800) 338-2581 • F: (828) 248-3929 • Watts.com

Canada: T: (888) 208-8927 • F: (888) 479-2887 • Watts.ca

Latin America: T: (52) 55-4122-0138 • Watts.com