



Location:

# SYMMONS® Oxford®

the smart choice™

4200-TRM, 4200TRMTC  
 Shower Valve Trim  
**Specification Submittal**



### Feature Highlights

- Oxford Shower Valve Trim
- Requires Temptrol® Pressure Balancing Shower Valve
- Metal lever handle
- Diverter tub spout not included
- Showerhead not included
- Components shall be metal and nonmetallic construction, plated in standard Polished Chrome finish
- Available with TA-10 flow control spindle and T-12A cap assembly for Temptrol valve bodies installed with Test Cap (order p/n 4200TRMTC)

### Model Numbers

- 4200-TRM**  
Shower Valve Trim, Temptrol Pressure Balancing Shower Valve ordered separately
- 4200TRMTC**  
Shower Valve Trim with TA-10 flow control spindle and T-12A cap assembly, must order Temptrol valve with Test Cap

### Compliance


- ASME A112.18.1/CSA B125.1



### Warranty

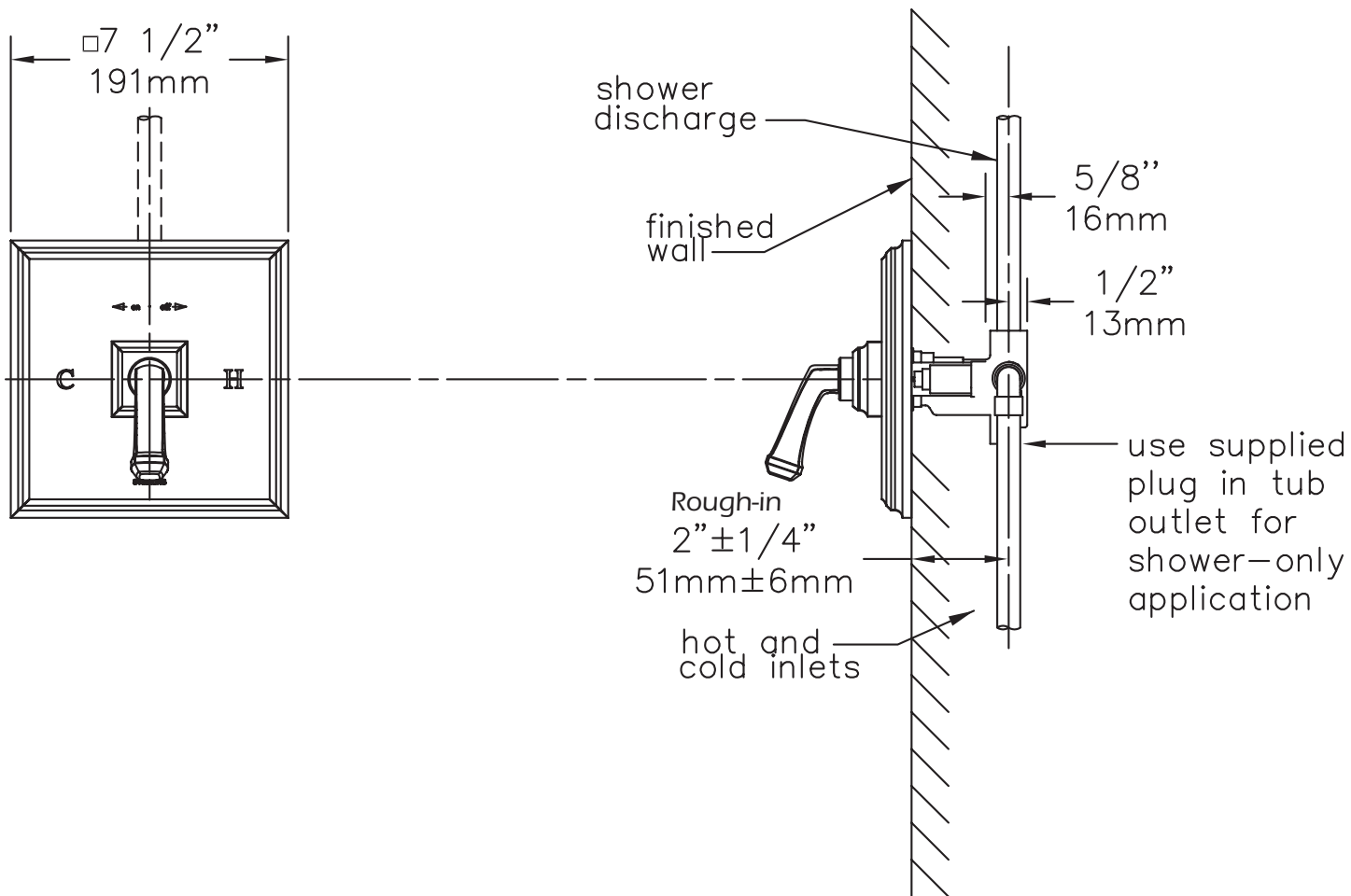
**Limited Lifetime** - to the original end purchaser in consumer/residential installations.  
**5 Years** - for industrial/commercial installations.  
 Refer to [www.symmons.com/warranty](http://www.symmons.com/warranty) for complete warranty information.  
 Go to [www.symmons.com/register](http://www.symmons.com/register) to register your Symmons product.

### Options/Modifications

- LP**  *Loop handle*
- REB** *Rebuild trim kit, includes TA-10 and TA-4*
- VP** *Vandal resistant escutcheon screws in place of standard screws*
- STN** *Satin Nickel finish*

**Note:** Append appropriate -suffix to model number.

## Dimensions



### Notes:

- 1) Valve body and piping not included and shown as reference only.
- 2) Plaster shield (p/n T-176) for dry wall, plaster or other type walls  $\frac{1}{2}$ " or greater.
- 3) All dimensions measured from nominal rough-in.
- 4) Dimensions subject to change without notice.