



# Lavatory Faucet SLS-3512-1.5, SLS-3522-1.5

## Installation Brief

### Model Numbers

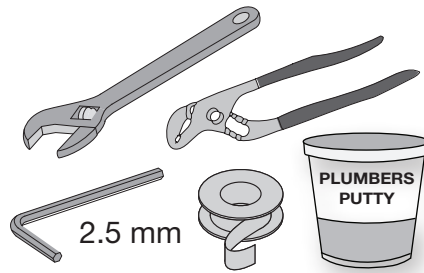
- SLS-3512-1.5 Lavatory faucet with lift rod and pop-up drain (7-5/16" height)
- SLS-3522-1.5 Lavatory faucet only, (5" height)

### Modification Options

Append -suffix code to part numbers when applicable

- 1.0 1.0 gpm (3.8 L/min) aerator
- 2.2 2.2 gpm (8.3 L/min) aerator

### Tools & Materials



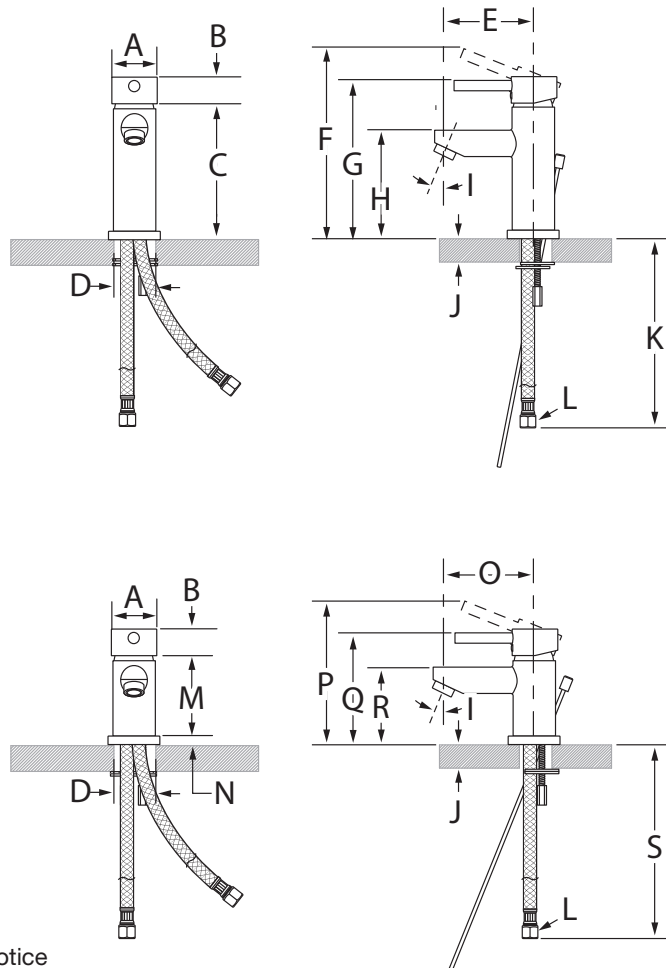
### Need Help?

Contact Symmons customer service at  
 P: (800) 796-6667, (781) 848-2250  
 Email: [gethelp@symmons.com](mailto:gethelp@symmons.com)  
 Monday - Friday 7:30 am - 7:00 pm EST  
 Please check Symmons website for technical help, the latest product information, warranty policy and a list of Symmons distributors  
[www.symmons.com](http://www.symmons.com)



## Dimensions Dia Lavatory Faucet, SLS-3512-1.5, SLS-3522-1.5

Measurements	
A	2", 51 mm
B	1 3/16", 30 mm
C	6 1/8", 156 mm
D	Hole Size Min. Ø 1 1/4", 32 mm Max. Ø 1 3/8", 35mm
E	4", 102 mm
F	8 3/4", 222 mm
G	7 5/16", 186 mm
H	5", 127 mm
I	26°
J	Deck Thickness Ref. Min. 7/8", 22 mm Max. 2 3/8", 60 mm
K	23", 584 mm
L	3/8" compression fitting
M	3 1/2", 89 mm
N	3/8", 10 mm
O	4 1/8", 105 mm
P	6 1/2", 165 mm
Q	5", 127 mm
R	3 1/2", 89 mm
S	25", 635 mm

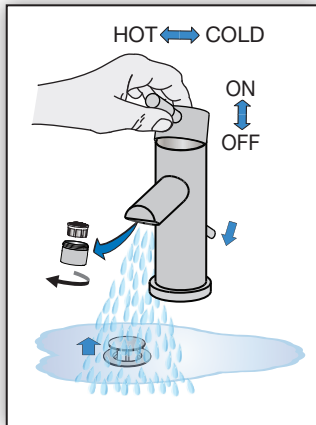


**Note:** Dimensions subject to change without notice

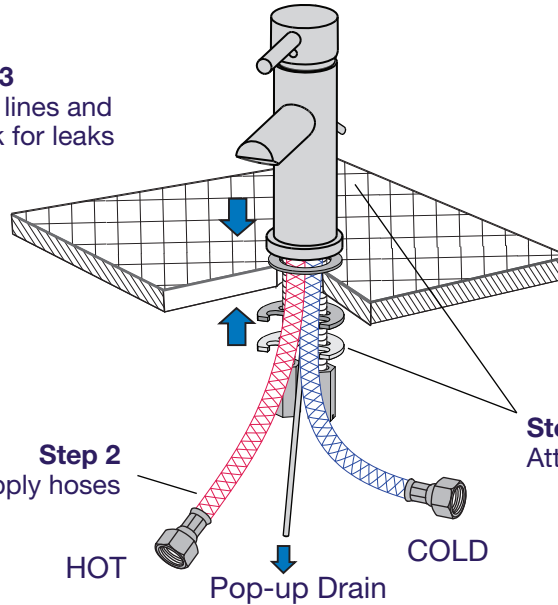
For California Residents

**WARNING:** This product contains chemicals known to the State of California to cause cancer, birth defects, or other reproductive harm.

# Quick Install Guide Dia Lavatory Faucet, SLS-3512-1.5, SLS-3522-1.5

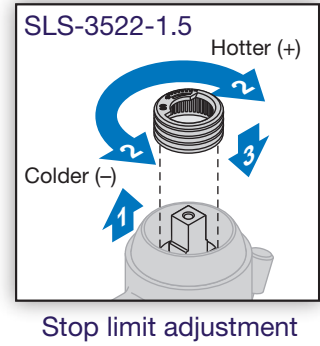


**Step 3**  
Flush lines and check for leaks



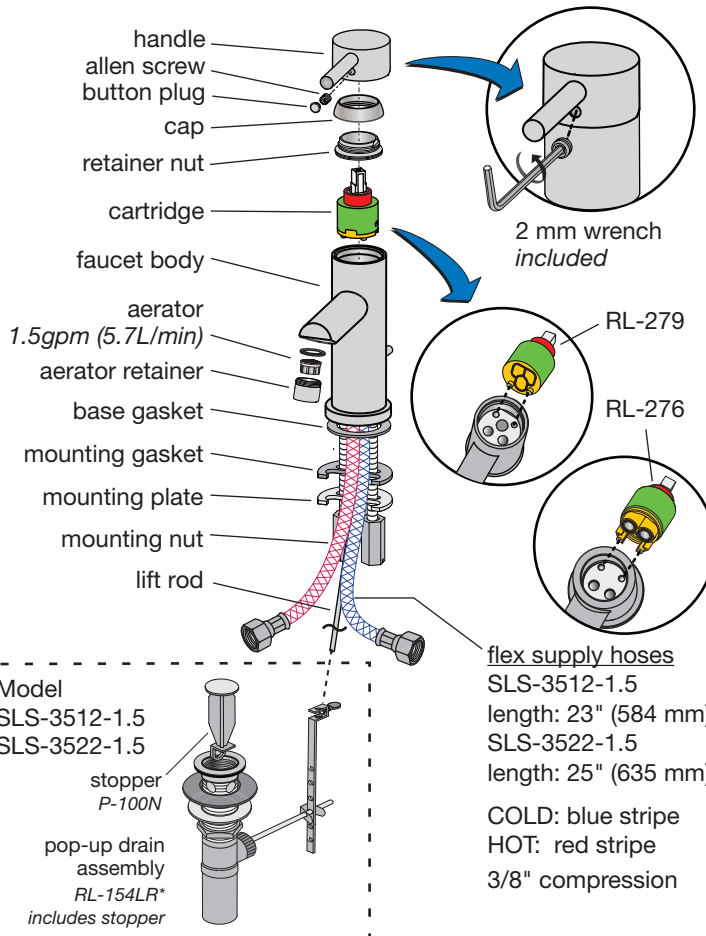
**Step 2**  
Connect supply hoses

**Step 1**  
Attach faucet assembly



Stop limit adjustment

# Parts Assembly Dia Lavatory Faucet, SLS-3512-1.5, SLS-3522-1.5



Replacement Parts	
Part Number	Item
RL-279 (SLS-3512-1.5) RL-276 (SLS-3522-1.5)	Cartridge
LN-15* FLR-110-1.5* FLR-110-1.0* RL-071* (SLS-3512-1.5)	Aerator kits 2.2 gpm (8.3 L/min) 1.5 gpm (5.7 L/min) 1.0 gpm (3.8 L/min) 0.5 gpm (1.9 L/min) includes aerator, retainer & washer
LN-15-2.2-NA* LN-15-1.5-NA* LN-15-1.0-NA* RL-019* (SLS-3622-1.5)	Non-aerated laminar flow outlet kits 2.2 gpm (8.3 L/min) 1.5 gpm (5.7 L/min) 1.0 gpm (3.8 L/min) 0.5 gpm (1.9 L/min) includes aerator, retainer & washer
LN-01386*	Handle kit includes handle, allen screw & RB button plug requires 2 mm Allen wrench
LN-01935	Mounting hardware kit threaded studs (2) hex nut (2) rubber washer (1) metal washer (1)
LN-01660*	4" deck plate

\* Note: For decorative finish faucets append the appropriate suffix code letters to part numbers marked with an asterisk (\*)