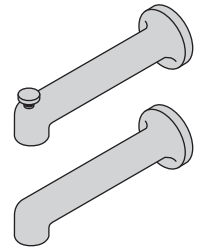



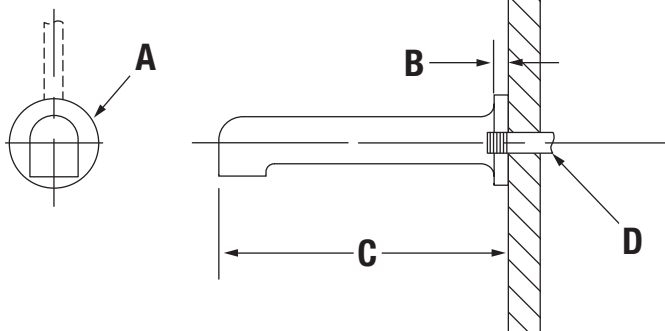
532TS, 532TSD
Museo™ Tub Spout Series
Operation & Maintenance Manual



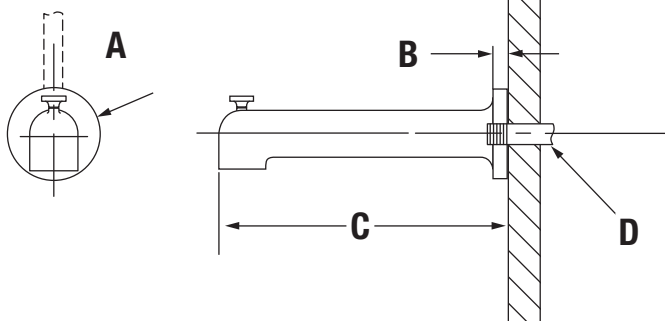
<p>Model Numbers</p> <p><input type="checkbox"/> 532TS <i>Museo Non-Diverter Tub Spout</i></p> <p><input type="checkbox"/> 532TSD <i>Museo Diverter Tub Spout</i></p>	<p>Specifications</p> <p>7 1/8" non-diverter tub spout (532TS) and 7 1/8" diverter tub spout (532TSD) made from brass materials plated in standard polished chrome finish.</p>
<p>Modifications</p> <p><input type="checkbox"/> -BLK <i>Polished graphite finish</i></p> <p><input type="checkbox"/> -STN <i>Satin nickel finish</i></p>	<p>Compliance</p> <p>-ASME A112.18.1/CSA B125.1</p> 
<p>Note: Append appropriate -suffix to model number.</p>	<p>Warranty</p> <p>Limited Lifetime - to the original end purchaser in consumer installations. 5 Years - for commercial installations.</p> <p>Refer to www.symmons.com/warranty for complete warranty information.</p>

Dimensions

532TS



532TSD



Measurements	
A	Ø 2 1/2", 63 mm
B	1/2", 13 mm
C	7 1/8"
D	1/2" - 14 NPT

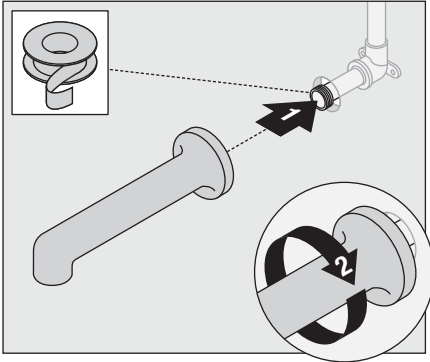
Required for Installation	
Teflon Tape	

Note: Dimensions are subject to change without notice.

532TS, 532TSD
Museo™ Tub Spout Series
Operation & Maintenance Manual

Installation

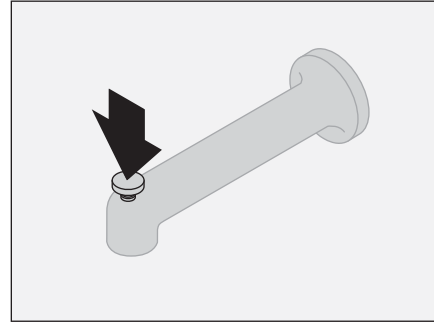
1) Install tub spout to elbow. Turn clockwise to secure.



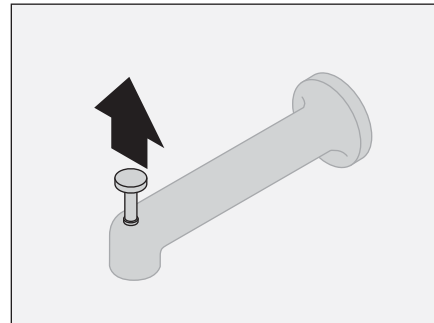
Diverter Control

Note: 532TSD only.

1) Diverter lever in down position for tub spout operation.



2) Diverter lever in up position for shower operation.



Care and Cleaning

1) Clean finished trim area with a soft cloth using mild soap and water or a non-abrasive cleaner and then quickly rinse with water.
