

# Universal™ Heavy Duty Gas 98,000 – 400,000 BTU/HR.



(On Selected Models)



(With Optional Leg Kit)



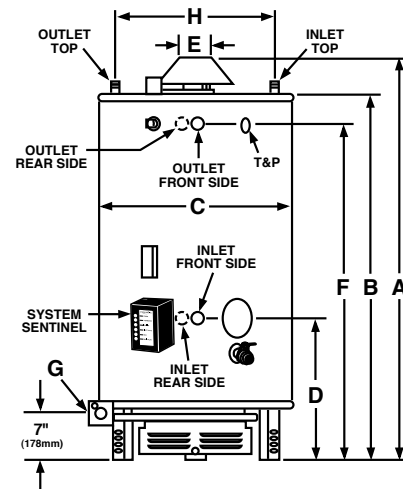
## Universal Features:

- Small jacket diameters
- Short floor-to-vent heights
- Multiple water connections
- System Sentinel™ LED diagnostic system

## Standard Features:

- 3 year limited tank warranty
- Patented multiflue design
- Low profile automatic flue damper
- Spark-to-pilot ignition system
- Full port, full flow brass drain valve

- Factory installed AGA/ASME rated T&P relief valve
- Handhole cleanout
- Stainless steel burners
- 180° max operating temperature
- LED diagnostics on all damper assemblies for easier service
- Certified for a 150 PSI maximum working pressure (160 PSI for ASME models)
- Manual reset high limit (ASME models)
- Low NOx models available



RECOVERY CAPACITIES			DIMENSIONAL INFORMATION (All dimensions shown in inches)																	CLEARANCES TO COMBUSTIBLES		
MODEL NUMBER	GAL. CAP.	INPUT BTU/HR. NATURAL & L.P.	THERMAL EFFICIENCY	TEMP. RISE - GPH			A	B	C	D	E	F	G	H	WATER CONNECTIONS			APPROX. SHIPPING WEIGHT (LBS.)		SIDE	REAR	TOP
				40°	100°	140°									TOP IN/OUT	FRONT SIDE	REAR SIDE	STANDARD	ASME			
G50-98	50	98,000	80%	238	95	68	62-3/4	57-1/8	22-1/2	22-5/8	5	50-1/2	1/2	15	1	1-1/2	1-1/2	270	N/A	2"	2"	12"
G75-125	75	125,000	80%	303	121	87	65-1/2	61	26-1/4	25	5	56	3/4	20	1-1/2	1-1/2	1-1/2	480	N/A	2"	2"	12"
G82-156	82	156,000	80%	378	151	108	68-13/16	64	26-1/4	25	6	58-5/8	3/4	20	1-1/2	1-1/2	1-1/2	490	N/A	2"	2"	12"
G76-180	76	180,000	80%	436	175	125	68-13/16	64	26-1/4	25	6	58-5/8	3/4	20	1-1/2	1-1/2	1-1/2	540	N/A	2"	2"	12"
G37-200	35	199,900	80%	485	194	138	49-1/4	43-3/8	26-1/4	25	6	37-5/8	3/4	20	1-1/2	1-1/2	1-1/2	405	N/A	2"	2"	12"
G76-200	76	199,900	80%	485	194	138	68-13/16	64	26-1/4	25	6	58-5/8	3/4	20	1-1/2	1-1/2	1-1/2	540	N/A	2"	2"	12"
G91-200	91	199,900	80%	485	194	138	76-5/16	71-13/16	26-1/4	30-5/8	6	66-3/8	3/4	20	1-1/2	1-1/2	1-1/2	600	N/A	2"	2"	12"
G100-200(A)	100	199,900	80%	485	194	138	73-1/16	66-1/8	30-1/4	23-1/4	6	57-1/2	3/4	23	1-1/2	2	2	780	835	2"	4"	12"
G72-250(A)	72	250,000	80%	606	242	173	71-1/16	64-1/2	26-1/4	25	6	58-5/8	3/4	20	1-1/2	1-1/2	1-1/2	590	630	6"	6"	12"
G100-250(A)	100	250,000	80%	606	242	173	73-1/4	66-1/8	30-1/4	23-1/4	8	57-1/2	3/4	23	1-1/2	2	2	795	835	2"	4"	12"
G100-270(A)	100	270,000	80%	654	262	187	73-7/8	66-1/8	30-1/4	23-1/4	8	57-1/2	3/4	23	1-1/2	2	2	805	845	2"	4"	12"
G72-300(A)	72	300,000	80%	727	291	208	71	64-1/2	26-1/4	25	8	58-5/8	3/4	20	1-1/2	1-1/2	1-1/2	590	630	6"	6"	12"
G85-300(A)	85	300,000	80%	727	291	208	78-7/16	66-1/8	26-1/4	30-5/8	8	66-3/8	3/4	20	1-1/2	1-1/2	1-1/2	640	680	6"	6"	12"
G100-310(A)	100	310,000	80%	752	301	215	75	68-1/2	30-1/4	32-1/4	7	61-3/4	3/4	23	1-1/2	2	2	770	810	4"	4"	12"
G65-360(A)	65	360,000	80%	873	349	249	70-11/16	64-1/2	26-1/4	25	8	58-5/8	3/4	N/A	N/A	1-1/2	1-1/2	640	680	6"	6"	12"
G65-400(A)	65	399,900	80%	969	388	277	70-11/16	64-1/2	26-1/4	25	8	58-5/8	3/4	N/A	N/A	1-1/2	1-1/2	640	680	6"	6"	12"
G85-400(A)	85	399,900	80%	969	388	277	78-13/16	72-5/16	26-1/4	30-5/8	10	66-3/8	3/4	20	1-1/2	1-1/2	1-1/2	640	680	6"	6"	12"
G100-400(A)	100	399,900	80%	969	388	277	76	68-1/2	30-1/4	32-1/4	8	61-3/4	1"	23	1-1/2	2	2	770	810	4"	4"	12"

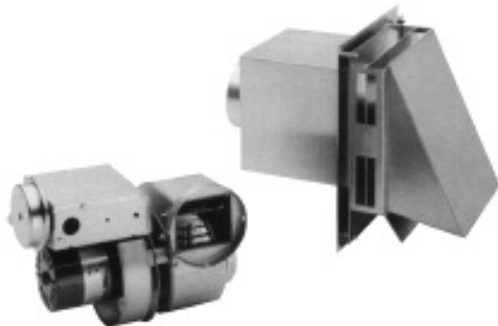
Recovery ratings are based on thermal efficiencies obtained in a CSA certified laboratory. Thermal Efficiency in accordance with ANSI Z21.10.3 labeling requirements.

"(A)" Indicates Available ASME Model. \*3/4" for L.P. Models. Increase Height 3-5/8" for NSF Models. All Models Require a 120V Power Source.

These models have been tested according to ANSI test procedures, and exceed the thermal efficiency and standby loss requirements of ASHRAE (Part of the Federally mandated Energy Policy Act (EPact)).

Also exceeds energy efficiency codes of all states including California Energy Commission (CEC). All models are North Carolina Code compliant.

# Power Vent Kits Gas



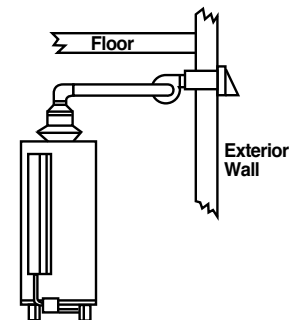
Manufactured by Tjernlund Products, Inc., Rheem-Ruud Commercial Gas Water Heater Power Vent Kits are your best choice for new construction, electric-to-gas conversions and renovations.

**For technical assistance, please call the Tjernlund Help Line at 1-800-255-4208.**

## Construction Features:

- Certified for use on natural and propane gas models.
- Maximum venting length up to 50 feet equivalent including the vent terminal.
- Vent terminal can be installed through combustible or non-combustible surfaces – heat shield is provided.
- Vent terminal is constructed from heavy-duty corrosion resistant aluminum.
- Venter can be connected to a vent termination on an exterior wall.
- Vibration isolators are supplied to provide quiet operation.
- Safety interlocks standard.
- Complete with mounting hardware.
- Venter is pre-wired with 40 feet of #18-4 copper wire (24 volt) to minimize field connections.

## TYPICAL APPLICATION



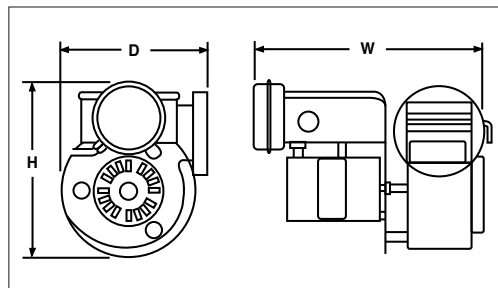
Model	Vent Kit	Part No.	Draft Hood Outlet	Vent Size	Vent Adapter*
G50-98	PV Kit 4	AP11646	5"	4"	5" x 4"
G75-125	PV Kit 4	AP11646	5"	4"	5" x 4"
G82-156	PV Kit 4	AP11646	6"	4"	6" x 4"
G76-180	PV Kit 4	AP11646	6"	4"	6" x 4"
G37-200	PV Kit 5	AP11646	6"	4"	Not Req.
G76-200	PV Kit 5	AP11645	6"	6"	Not Req.
G91-200	PV Kit 5	AP11645	6"	6"	Not Req.
G100-200(A)	PV Kit 5	AP11645	6"	6"	Not Req.
G72-250(A)	PV Kit 5	AP11645	6"	6"	Not Req.
G100-250(A)	PV Kit 5	AP11645	8"	6"	8" x 6"
G100-270(A)	PV Kit 5	AP11645	8"	6"	8" x 6"
G72-300(A)	PV Kit 5	AP11645	8"	6"	8" x 6"
G85-300(A)	PV Kit 5	AP11645	8"	6"	8" x 6"
G100-310(A)	PV Kit 5	AP11645	7"	6"	7" x 6"
G65-360(A)	PV Kit 5	AP11645	8"	6"	8" x 6"
G65-400(A)	PV Kit 5	AP11645	8"	6"	8" x 6"
G85-400(A)	PV Kit 5	AP11645	10"	6"	10" x 6"
G100-400(A)	PV Kit 5	AP11645	8"	6"	8" x 6"
GD100-250(A)	PV Kit 5	AP11645	6"	6"	Not Req.
GD100-270(A)	PV Kit 5	AP11645	6"	6"	Not Req.
GD100-310(A)	PV Kit 5	AP11645	6"	6"	Not Req.
GD100-360(A)	PV Kit 5	AP11645	6"	6"	Not Req.

\*Note: Vent Pipe and Vent Adapter are **NOT** included.

## POWER VENTER (from Tjernlund)

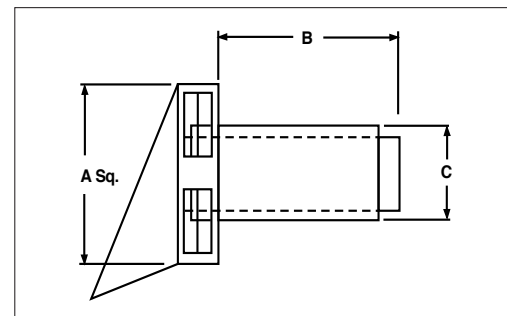
Kit#	Motor Watts	Motor Amps	Max Vent	Height (H)	Width (W)	Depth (D)	Inlet Outlet
4	95	1.26	50 ft	7-7/8"	11"	7"	4"
5	170	1.51	50 ft	9-1/4"	11-5/8"	8-5/8"	6"

**Note:** Max Vent Length based on total length of straight vent pipe plus 10 feet for each 90 degree elbow and 5 feet for each 45 degree elbow.



## VENT TERMINAL

Kit#	A	B	C	Rough in Dimension
4	9"	9-1/2"	7" Sq.	8" Sq.
5	10-1/8"	9-1/2"	8-1/2" Dia.	9" Dia.



Power vent kits manufactured by Tjernlund Products, Inc. are tested and certified by CSA for use on these Rheem-Ruud Commercial Gas Heaters.

- Not for use with GN, GP, and GX models.