



C-534 Commercial Wall Hydrant

MasterSpec®



- Commercial
- Freezeless
- Anti-Siphon
- Double Check Valve

With Integral P-004 Vacuum Breaker

PRIER C-534 provides a year round source of water to areas that are subject to freezing temperatures. The hydrant is connected to the supply piping in the heated portion of the structure, eliminating the possibility of freezing. To ensure freeze protection, the hydrant will drain even with the hose attached and under pressure without sprayback.

The C-534 combines freezeless hydrant features with self-draining, anti-siphon and two backflow check valves. The vacuum breaker/backflow preventer provides protection against cross-connection of the potable water supply, while venting to eliminate any vacuum. This commercial wall hydrant is key operated, code approved, and flows up to 9 GPM. No special installation tools are required.

FEATURES

- Double check valve and anti-siphon vacuum breaker
- Drains automatically with hose attached
- Short valve stem cap for smaller profile in box
- Integral cast flange with built-in drainage pitch
- Solid brass body, valve stem cap, seat and stem ends
- Satin nickel plated body maintains attractive finish
- Optional stainless steel hydrant box sold separately
- Multiple vent holes ensure proper draining and reduce problems associated with insect nesting
- Designed to last the life of the plumbing system
- Patented PRIER "triple seal" positive shutoff system offers triple redundancy to assure shutoff
- High flow rate, 9 GPM at 25 PSI differential
- Same key operates box lock and hydrant

ORDERING

Wall Hydrant Only

C-534D10

Inlet

- D- 1/2" MPT x 1/2" SWT
- T- 3/4" MPT x 1/2" FPT
- F- 3/4" SWT
- X- 1/2" Crimp PEX
- W- 1/2" Wirsbo® PEX
- FX- 3/4" Crimp PEX
- FW- 3/4" Wirsbo® PEX

Length

- CC- Close Coupled
- 04- 4" Insertion
- 06- 6" Insertion
- 08- 8" Insertion
- 10- 10" Insertion
- 12- 12" Insertion
- 14- 14" Insertion
- 16- 16" Insertion
- 18- 18" Insertion
- 20- 20" Insertion
- 22- 22" Insertion
- 24- 24" Insertion
- XX- Special Size

Optional Hydrant Box

C-534BX4



Box Finish
4- Stainless Steel

INLET STYLES



D Style
1/2" MPT x 1/2" SWT



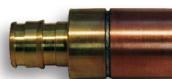
T Style
3/4" MPT x 1/2" FPT



F Style
3/4" SWT



X Style
1/2" Crimp PEX



W Style
1/2" Wirsbo® PEX



FX Style
3/4" Crimp PEX

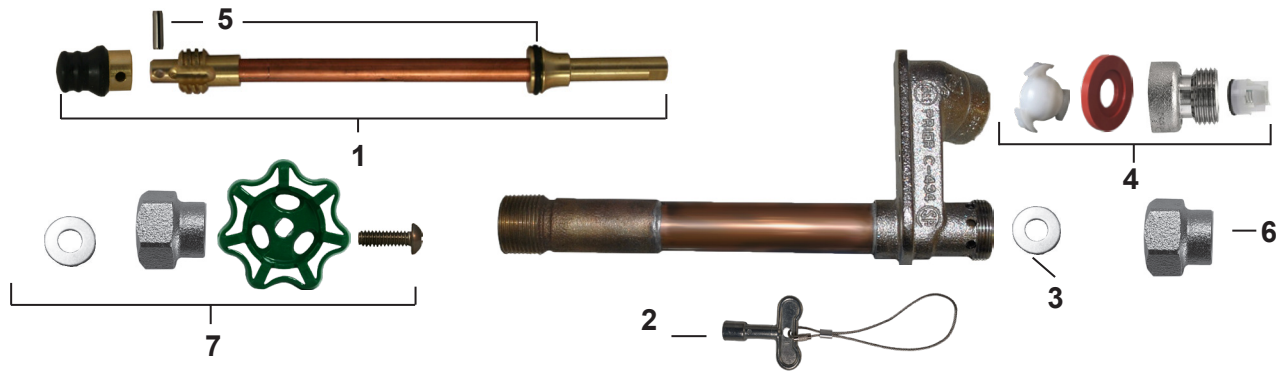


FW Style
3/4" Wirsbo® PEX

MATERIALS

Brass	Body, Stem Ends (2), Seat, Valve Stem Cap
Hard Copper	Operating Stem, Shaft
EPDM	Drain Seal O-Ring, Triple Seal Stopper, Packing
Silicone	Vacuum Breaker Washer
Acetal	Vacuum Breaker Check Spider
Stainless Steel	Seat Pin, Hydrant Box
Aluminum	Loose Key

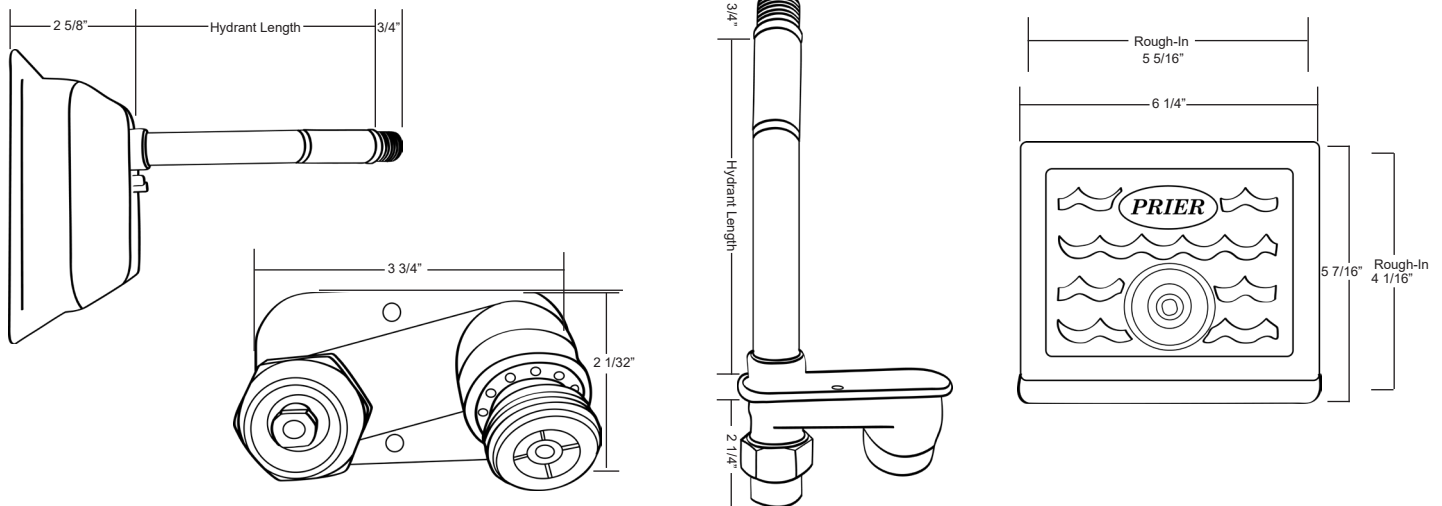
C-534 REPLACEMENT PARTS AND STEMS



ID	Part No.	Description	ID	Part No.	Description
1	See Below	Stem Assembly, Contains: 1, 5		P-231-0420	Stem for 20" C-434/C-534 Hydrant, 22 1/2" OAL
	P-231-04CC	Stem for CC C-434/C-534 Hydrant, 4 7/8" OAL		P-231-0422	Stem for 22" C-434/C-534 Hydrant, 24 1/2" OAL
	P-231-0404	Stem for 4" C-434/C-534 Hydrant, 6 1/2" OAL		P-231-0424	Stem for 24" C-434/C-534 Hydrant, 26 1/2" OAL
	P-231-0406	Stem for 6" C-434/C-534 Hydrant, 8 1/2" OAL	2	C-108KT-808	Loose Key on Lanyard
	P-231-0408	Stem for 8" C-434/C-534 Hydrant, 10 1/2" OAL	3	324-1003	Washer
	P-231-0410	Stem for 10" C-434/C-534 Hydrant, 12 1/2" OAL	4	C-434KT-906	Vacuum Breaker Repair Kit
	P-231-0412	Stem for 12" C-434/C-534 Hydrant, 14 1/2" OAL	5	C-434KT-902	Stopper and Pin Kit (with tool and o-ring)
	P-231-0414	Stem for 14" C-434/C-534 Hydrant, 16 1/2" OAL	6	300-6003	Valve Stem Cap for C-534
	P-231-0416	Stem for 16" C-434/C-534 Hydrant, 18 1/2" OAL	7	C-534KT-804	Handle Conversion Kit to convert to C-434
	P-231-0418	Stem for 18" C-434/C-534 Hydrant, 20 1/2" OAL		C-534KT-907	Overhaul Kit for C-534, Contains: 2, 3, 4, 5, 6

For the **old style C-534 Series wall hydrant stems, see C-534 Series retired style spec sheet at PRIER.com.

ROUGH-IN DIMENSIONS



SPECS

Furnish and install freezeless model C-534 Commercial Wall Hydrant as manufactured by PRIER Products, Inc. Hydrant shall have automatic draining capabilities with integral ASSE 1052 approved double check vacuum breaker/backflow preventer. Hydrant shall have 3/4" hose connection with freezeless water flow and self-draining functions. After hydrant is turned in the "off" position, hydrant must be capable of draining even with the hose attached and under pressure without sprayback. Hydrant shall be constructed of all non-ferrous materials with EPDM sealing mechanisms. Hydrant body must be satin nickel plated. For stability of operation, hydrant stem shall be secured at the seat end with ACME type threads and at the handle end with the packing nut. Lockshield must be long enough to ensure operation only with the included operating key. Hydrant must be installed through a 1 1/8" diameter hole without any custom brick cutting. Operating Key is to be furnished with each hydrant. Hydrant insertion length to be \bar{x} inches. (Close coupled to 24" in 2" increments.)

Optional: Furnish and install flush-mount hydrant box for each valve. Hydrant box shall be manufactured of stainless steel. Box may be installed separately and hydrant be insertable and removable from front of the box. Access to the hydrant box shall be provided by the same operating key as the valve.