



PIONEER INDUSTRIES, INC.
3325 S. Garfield Ave.
Commerce, CA 90040
(800) 338-9468
www.pioneerind.com

INSTALLATION

Tools:



Phillips Screwdriver



Silicone Sealant



Rags

Model Number: 6MT101T, 6MO101T

Warnings and Notes:

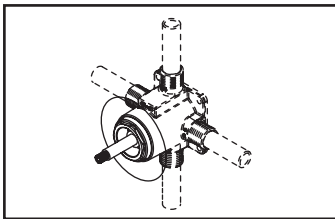
Check with local plumbing code requirements before installation.
This product should be installed by a local listed plumber.

Do not use plumbers putty on threads.

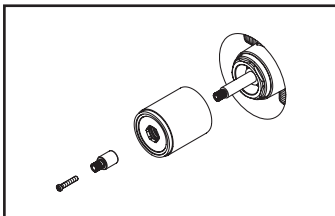


Installation Steps:

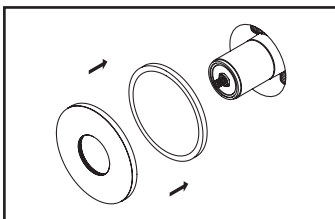
Single Handle Diverter Trim Set



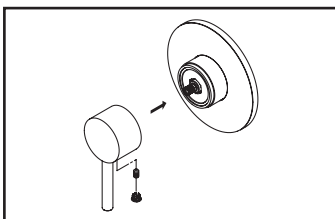
(1) Remove the protective cover if placed on the valve



(2) Thread the valve sleeve on the valve. Install the handle adapter on the diverter valve stem. secure the handle adapter with the screw.



(3) Slide the face plate on the valve sleeve. Ensure the rubber gasket is behind the face plate. Apply silicon to caulk around the face plate to form water tight seal.

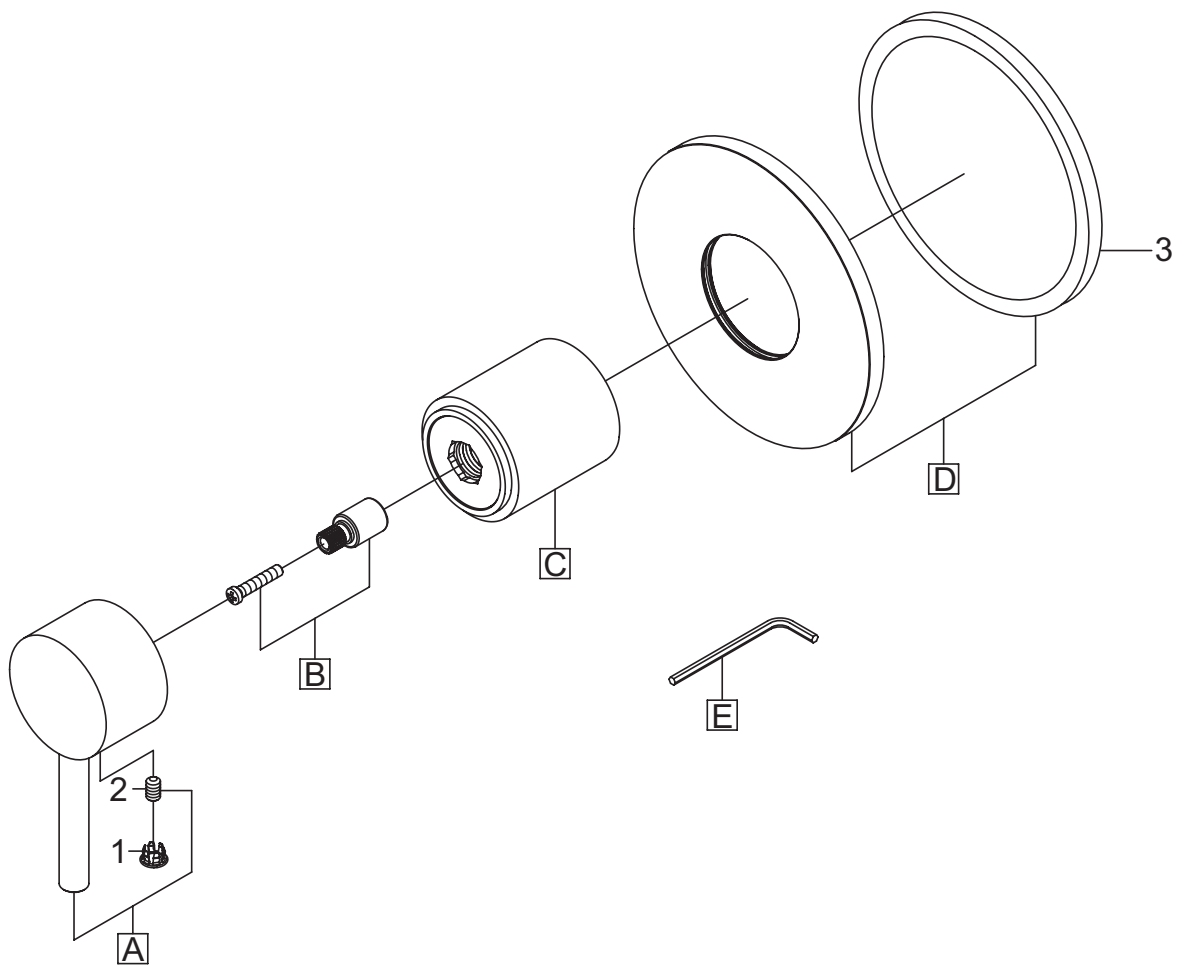


(4) Install the handle on the handle adapter . Tighten the Allen screw with 3/32" size Allen wrench. Check if water diverts to desired outlet.

Exploded Drawing (For 6MT101T)

* Note: Please specify finish/color when ordering.

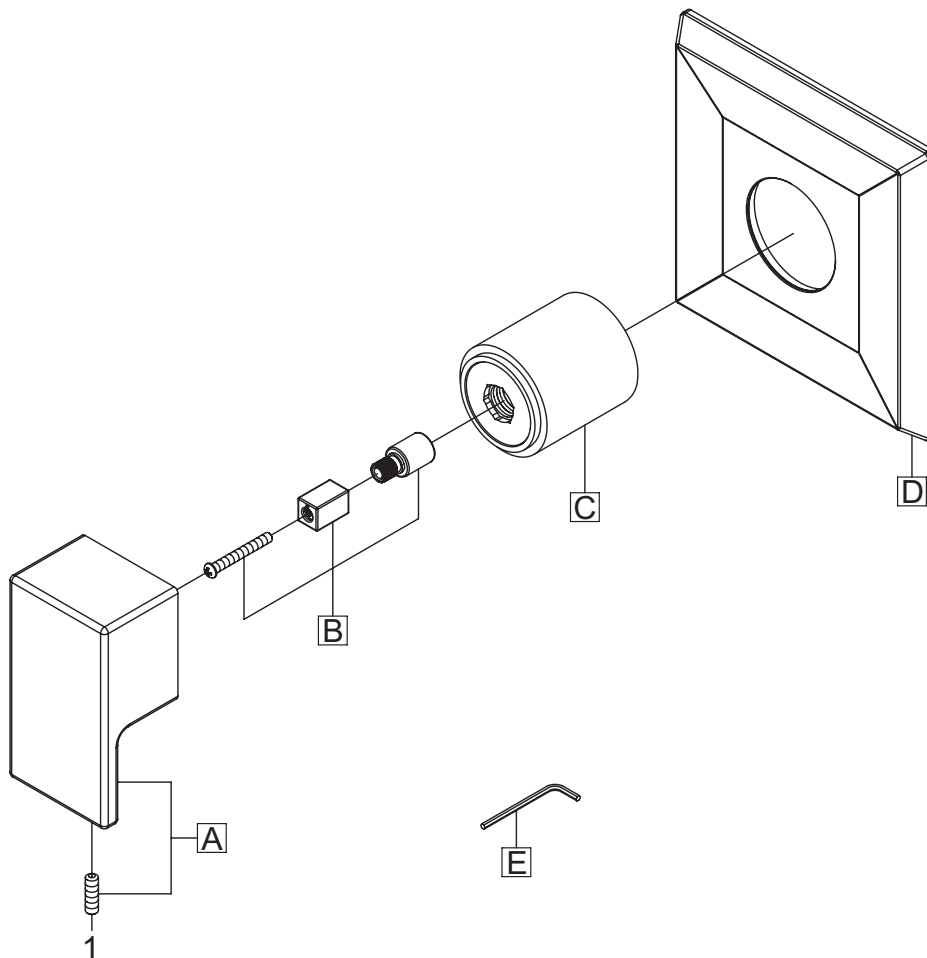
	ITEM #	DESCRIPTION
A	X-1600001*	Motegi Handle
B	X-4600013	Handle Adapter
C	X-4600035*	Sleeve
D	X-4600011*	Face Plate
E	X-4900024	3/32" Allen Wrench
1	X-4900044*	Hole Cover
2	X-4900002	3/32" Allen Screw
3	X-4600012	Rubber Gasket



Exploded Drawing (For 6MO101T)

* Note: Please specify finish/color when ordering.

	ITEM #	DESCRIPTION
A	X-1400043*	Metal Lever Handle
B	X-4600057	Handle Adapter
C	X-4600035*	Sleeve
D	X-6600004*	Face Plate
E	X-4900024	3/32" Allen Wrench
1	X-4900080	3/32" Allen Screw



For more care information or trouble shooting inquiries
about your Pioneer product, please call:
Pioneer Industries, Inc. (800) 338-9468
Monday-Friday 8 AM to 8 PM EST (5 AM to 5 PM PST)
www.pioneerind.com