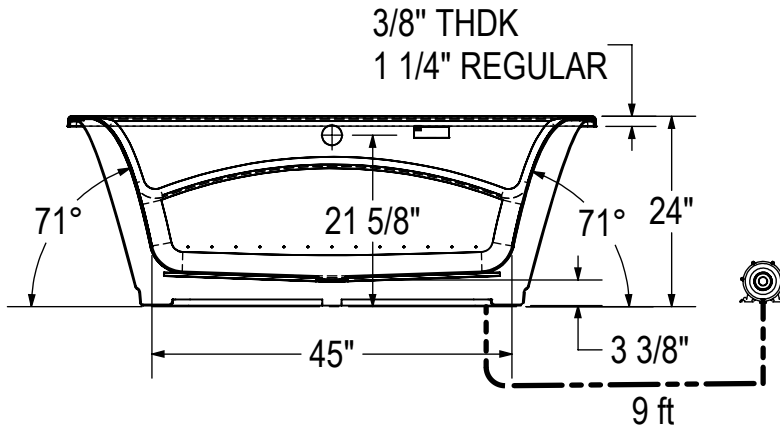
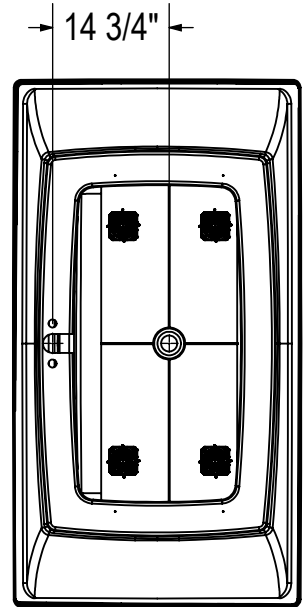
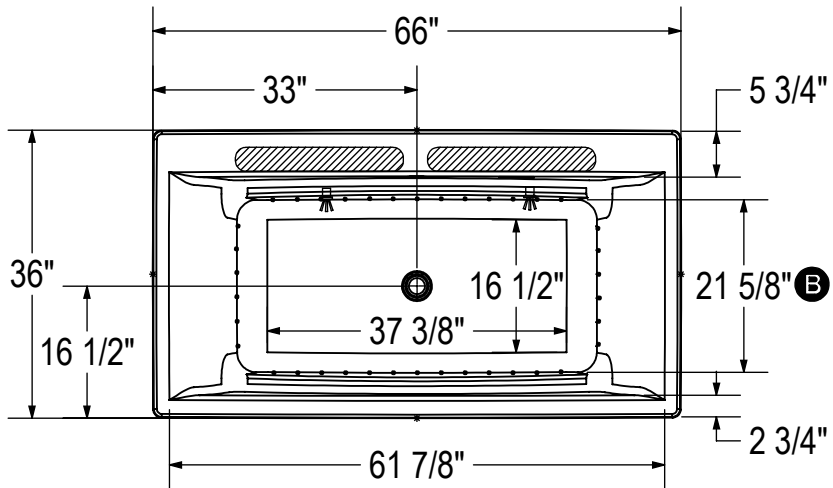


AIR SYSTEM



ⓑ : Specify remote blower location when ordering

(●) : Indicates airjets positioning

(⚡) : Indicates chromatherapy light positioning

(▨) : Recommended faucet area 2 sections of 20" (L) x 3 1/4" (W).

Blower must be installed at a distance.

All dimensions are approximate. Structure measurements must be verified against the unit to ensure proper fit.