



Buy it for looks. Buy it for life.®

Specifications

DESCRIPTION

- Various finishes identified by suffix
- Handheld shower
- 69" double interlock spiral hose (metal)
- Vacuum breaker
- 30" slide bar with push button height selection

OPERATION

- Single function
- Handshower holder rotates to adjust angle of handshower

FLOW

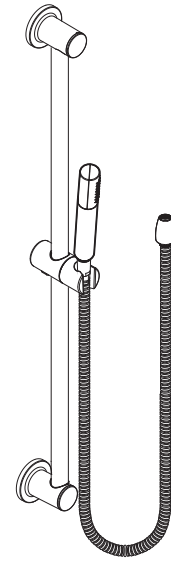
- Designed to deliver 2.5 gpm (9.5 L/min) at 80 psi
- EP suffix models are limited to 1.75 gpm (6.7 L/min) at 80 psi

STANDARDS

- Designed and manufactured to comply with the applicable requirements of CSA B-125.1, ASME A112.18.1 and ASSE 1014 and all applicable specifications referenced therein
- EP suffix models are IAPMO Green listed

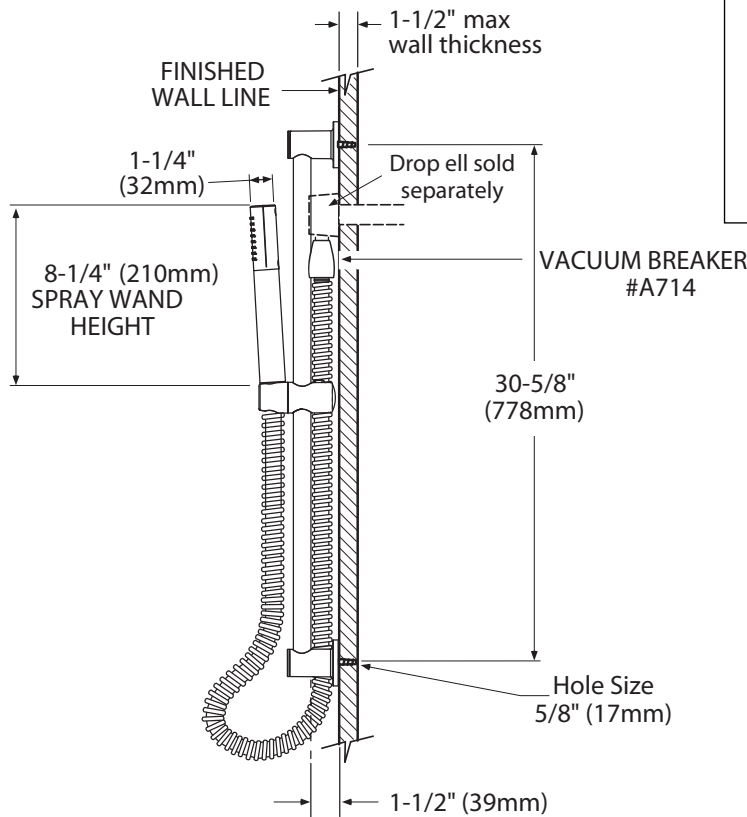
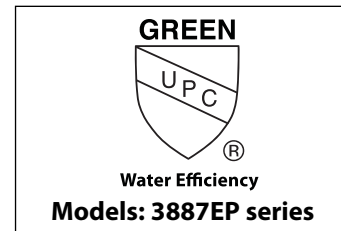
WARRANTY

- Lifetime limited warranty against material or manufacturing defects



LEVEL™
Single Function Handshower
w/Slide Bar

Model: 3887 series



CRITICAL DIMENSIONS

(DO NOT SCALE)