

DESCRIPTION

- ADA compliant operation
- Metal and brass construction with Chrome plated or Classic Brushed Nickel (CBN) finish
- Inlets and outlets on same plane
- Supplied with vandal resistant screws


OPERATION

- Lever style handle with function indicators on the escutcheon
- Detents at each flow position
- Rotary 360° handle operation
- Valve operates 3 distinct functions but can be plumbed for 2 distinct functions

CARTRIDGE

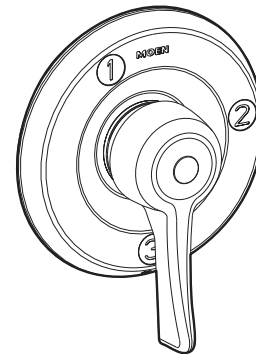
- Ceramic disk cartridge
- Pair with 3360, 3 function transfer rough-in valve

STANDARDS

- Third party certified to meet ASME A112.18/CSA B125.1 and all applicable requirements therein
- **ADA**  for lever handle

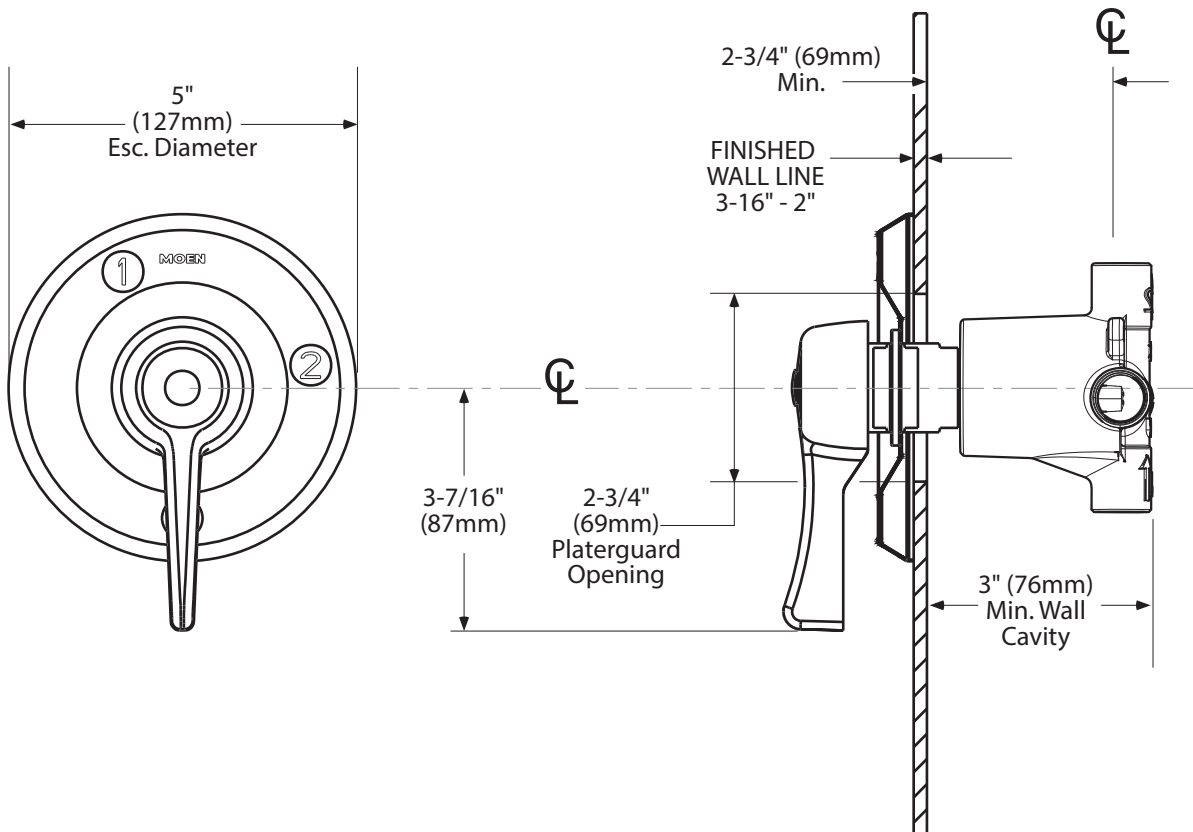
WARRANTY

- Warranted for 5 years against material or manufacturing defects



Three-Function Commercial Transfer Valve Trim Kit

Model: T8360
T8360CBN



NOTE: This valve is not intended to be used as a shut-off valve. To prevent the potential of cross flow, check valves must be integral to the supply valve or installed in both hot and cold water supply lines.

CRITICAL DIMENSIONS

(DO NOT SCALE)

FOR MORE INFORMATION CALL: 1-800-BUY-MOEN

www.moen.com