



**SPECIFICATION**

Furnish and install The Drain Box as manufactured by LSP Products Group, Specialty Products

**DESIGN FEATURES**

- A perfect match with LSP’s Pull Stop Box product line
- Smaller and stronger molded from high impact plastic
- Fast versatile Installation
- Flexible drain and supply stop installation options when used with LSP’s Pull Stop™ supply stops. Unlimited versatility between left, center, right drains, top or bottom supply piping, split in separate stud cavities, or on adjacent walls
- Includes Threaded Test Plug eliminating need for knockouts
- Fill stack & Test directly from the box using EZ-fill Threaded Test Plug P-00992 and standard washing machine hose.
- Optional condensate stand available with visible air gap
- Works perfectly with HYCO straps on both top and bottom
- 2” Drain Pipe Connection

**CAUTION**

- Do not exceed 40 PSI of drain pressure with test plug installed

**COMPLIANCES/LISTINGS**

- IAPMO Listed, File 901



3689 Arrowhead Drive, Carson City, NV 89706

Phone (800) 854-3215 Fax (800) 243-1777

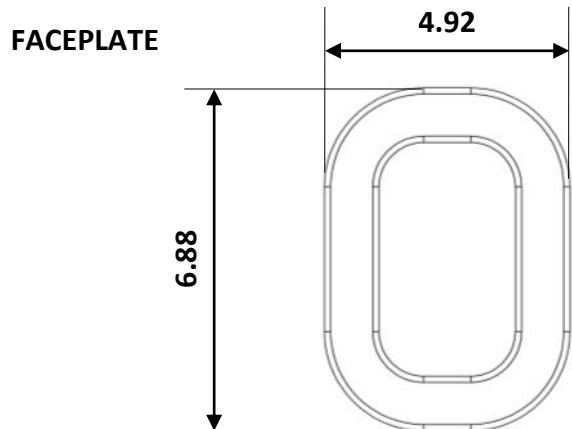
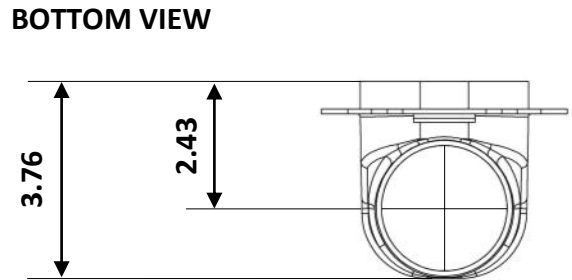
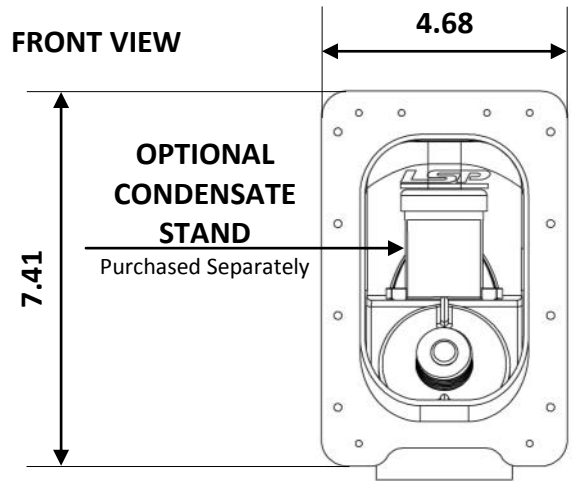
E-mail sales@lspproducts.com

Website www.lspproducts.com

Content matter is subject to change at any time.

It is the user’s responsibility to ensure the most updated revisions are obtained.

**DRAIN BOX**  
Plastic Washing Machine Outlet Box  
Specification Sheet



Product Submittal	
Job Name:	
Date:	
Part Number	Quantity
Architect:	
Contractor:	



**INSTALLATION INSTRUCTIONS**

1. Remove faceplate shown in Fig. 2 before mounting Drain Box in desired location, by squeezing the sides to disengage the securing tabs and pulling outward from the box opening.
2. Drain Box can be mounted using metal support brackets across bottom and top as shown (Fig. 1) with at least 2 screws in each bracket. Suggest using LSP's metal HYCO strap or Boss Bar P-1093.
3. Drain Box can be fastened to a vertical stud using 2 screws through flange with or without using metal support brackets.
4. Solvent cement drainpipe into the socket at the bottom of the drain outlet. Follow cement manufacturer's instructions. Wipe away any excess or pooling cement.
5. Install drain plug into drainpipe outlet by aligning plug threads of outlet hole and turning clockwise until tight. NOTE: The test plug includes a 3/4" male hose-thread for the convenient attachment of a hose to fill the drain/vent stack (with water only) for leak testing. To use the test plug to fill stack, cut end off top of threads and attach hose between valve and threaded nipple. (Fig. 1)
6. After leak testing, remove test plug from drain.
7. (Final steps) After drywall is installed, attach faceplate. Insert washing machine discharge hose into drain opening. (Fig. 2)

Optional Condensate Stand

1. After leak testing, cut leading edge of semicircle knock-out inside drain box with sharp utility knife. Insert large flat blade screwdriver in leading edge and pry away and discard knock-out.
2. Remove and discard round knock-out on top of drain box using flat blade screwdriver inserted in desired groove. Strike top of screwdriver lightly with hammer.
3. Position Condensate Stand in semicircle knock-out hole and press down to engage snaps.
4. Feed condensate tube through top of Drain Box hole and through the condensate stand into main drain. End of Condensate tube must not be visible in Condensate Stand air gap.



3689 Arrowhead Drive, Carson City, NV 89706  
 Phone (800) 854-3215 Fax (800) 243-1777  
 E-mail sales@lspproducts.com  
 Website www.lspproducts.com  
 Content matter is subject to change at any time.  
 It is the user's responsibility to ensure the most updated revisions are obtained.

**DRAIN BOX**  
**Plastic Washing Machine Outlet Box**  
 Specification Sheet

Part Number	Description
OBD-100	Standard Drain Box
Accessories/Replacement Parts	
P-00908	Faceplate, Rounded
P-00991	Condensate Stand
P-00992	Outlet Box Test Plug
P-1078-08	HYCO Strap, 8" x 3/4" x 1/16"
P-1078-18	HYCO Strap, 18" x 3/4" x 1/16"
P-1078-26	HYCO Strap, 26" x 3/4" x 1/16"
P-1090	Boss Bracket, 10"
P-1093	Boss Bracket, 13"

Figure 1

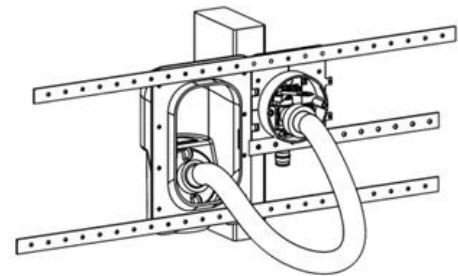


Figure 2



Product Submittal	
Job Name:	
Date:	
Part Number	Quantity
Architect:	
Contractor:	