

# INSTALLATION INSTRUCTIONS CARE AND MAINTENANCE



## CURVED APRON FRONT STAINLESS STEEL SINK Flush Mount or Under Mount Sink

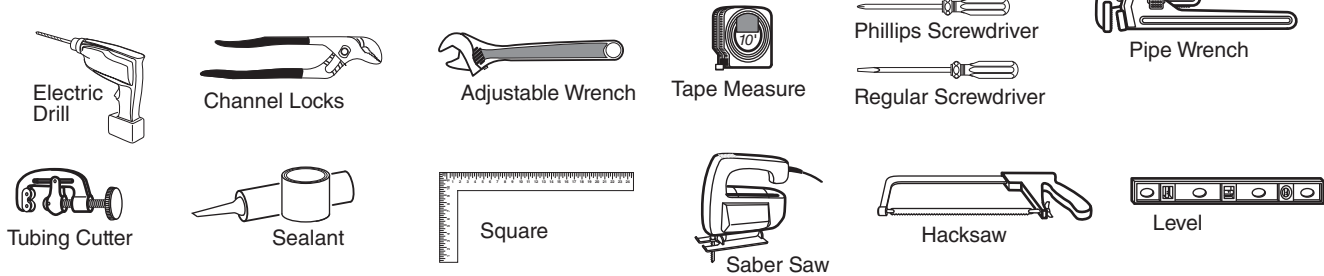
Thank you for selecting American Standard - the benchmark of fine quality for over 100 years. To ensure this product is installed properly, please read these instructions carefully before you begin. (Certain installations may require professional help.) Also be sure your installation conforms to local codes.

**⚠ CAUTION: PRODUCT IS FRAGILE. TO AVOID BREAKAGE AND POSSIBLE INJURY HANDLE WITH CARE!**  
NOTE: Pictures may not exactly define contour of components.

Before installing the sink, inspect it for damage. DO NOT install a damaged unit.  
Notify your American Standard distributor of any damage. Return sink in original packing.

### OBSERVE LOCAL PLUMBING AND BUILDING CODES

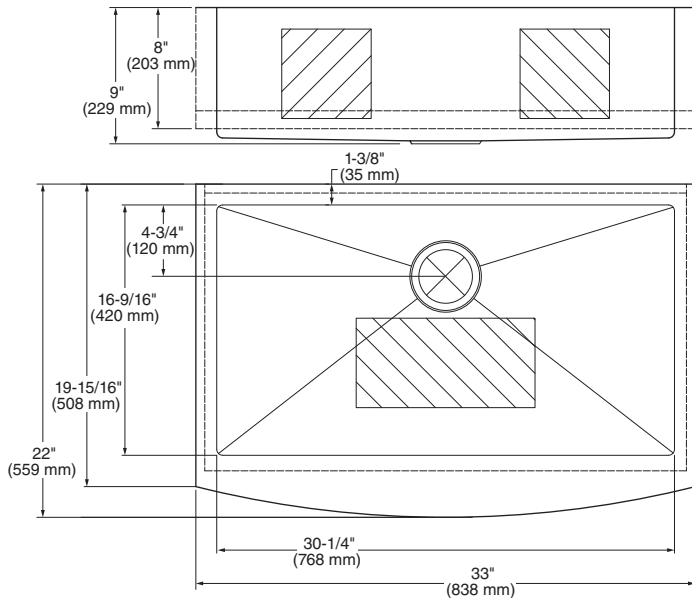
#### RECOMMENDED TOOLS AND MATERIALS



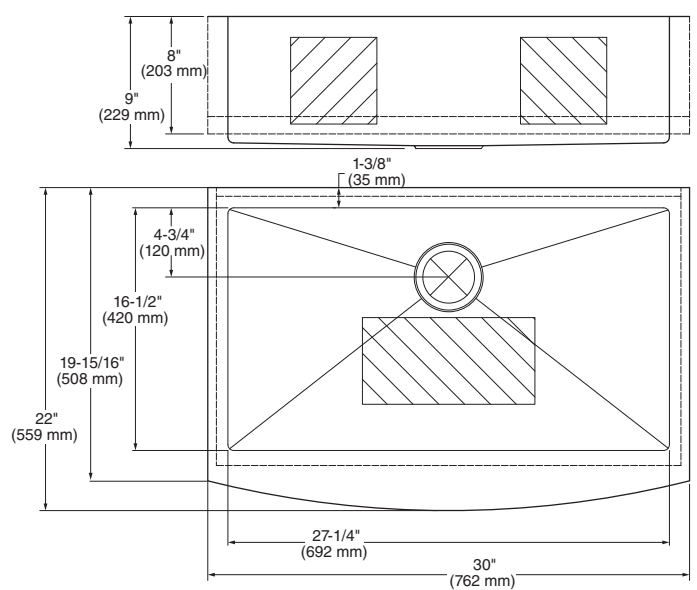
#### ROUGH-IN

\* NOTE: Dimensions may vary. Please use the actual size of the sink that you will be installing in order to determine the cutout dimensions for your countertop.

#### 33" SINK



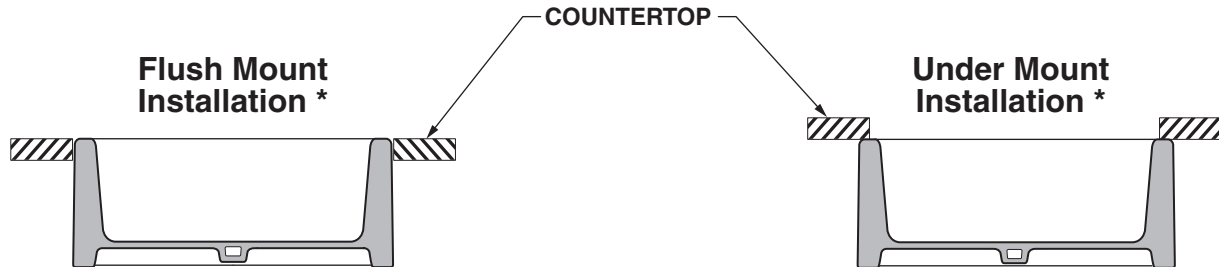
#### 30" SINK



SAVE FOR FUTURE USE

## MOUNTING OPTIONS

Sink can accommodate any standard 3-1/2" (89mm) sink outlet drain.



## REPLACEMENT USE

When replacing an original unit be sure to shut off water supply before removing the lavatory or disconnecting water supply lines and drain fittings. Original supplies and shutoff valves should be replaced on installation.

### INSTALLATION PROCEDURES

Typical installation includes cabinet support preparation, installation of faucet, connection of flexible water supply lines, attachment of sink to cabinet, sizing and installation of drain, supplies to house water system.

**Sink Mounting Provisions** – Whether the sink is used for replacement or new installation, the cabinet area beneath the sink must be reinforced to provide sufficient support.

### CABINET SUPPORT PREPARATION

**Important Note:**

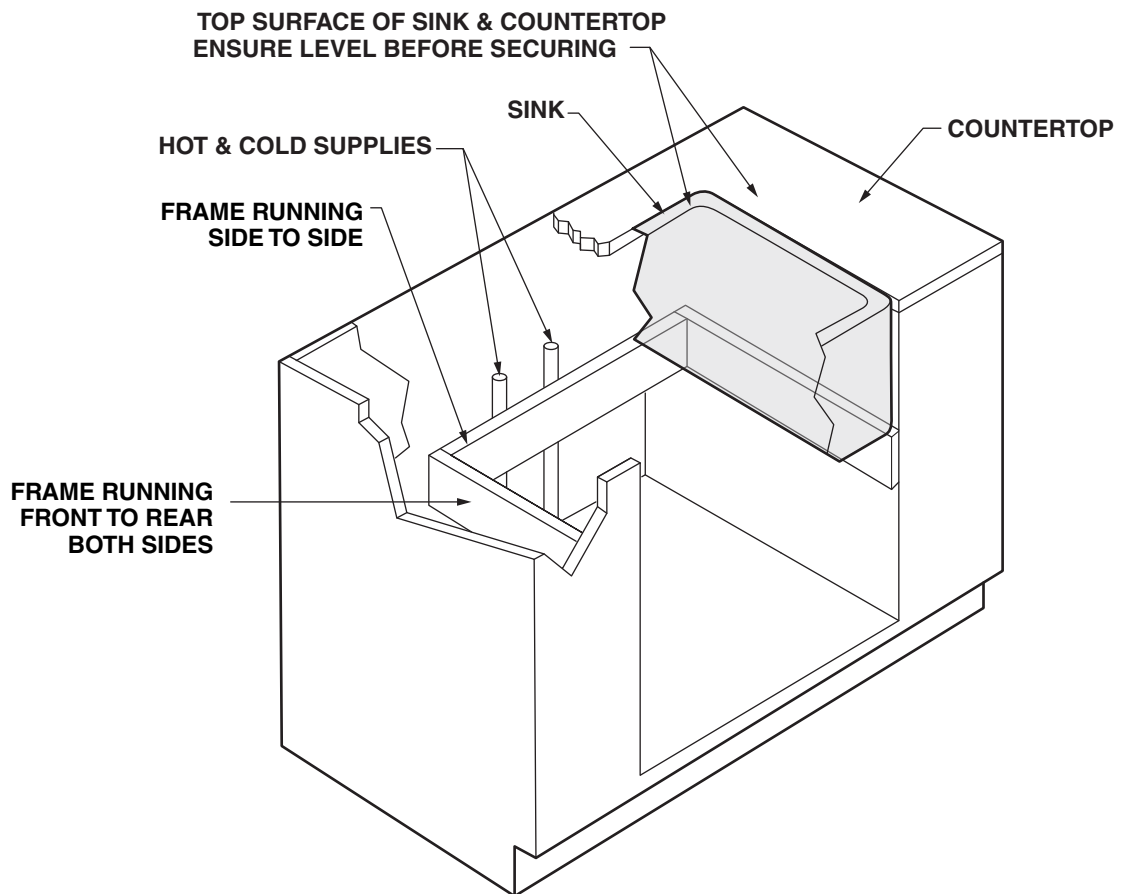
It is recommended that the installation be performed by a professional and shall be in accordance with all local plumbing and building code requirements.

## FLUSH MOUNT or UNDER MOUNT INSTALLATIONS

### 1 DETERMINE MOUNTING OPTIONS

Determine if the sink will be flush mounted or under mounted. **Next measure the actual size of the sink being installed to determine cabinet opening dimensions and support frame location.** (Also reference rough-in for dimensions.) The cabinet opening should equal the maximum dimensions of the sink to ensure a minimum gap between the sink apron and the cabinet. Support frame location is determined by type of sink installation being performed.

### FLUSH MOUNT INSTALLATION (SHOWN)



## 2 SUPPORT FRAME

Construct a support frame to fit inside the cabinet opening. Ensure you provide proper clearance for faucet, water supply lines, drain assembly, garbage disposal mounting system and the structural parts of the cabinet.

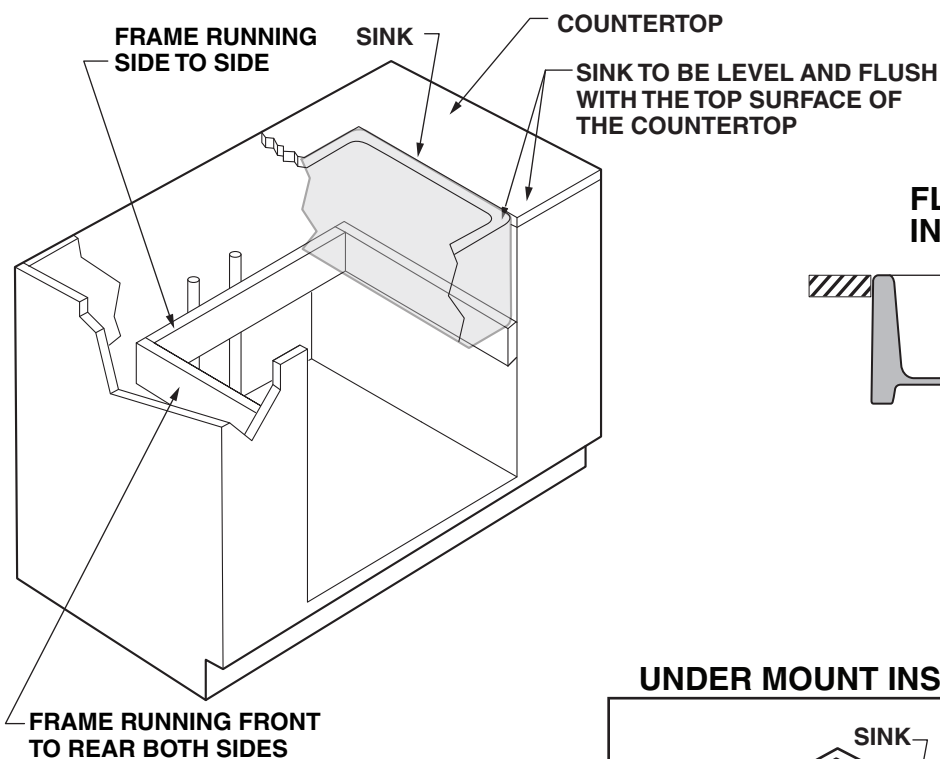
### Flush Mount Installation Note:

Ensure to install the support frame so that the top rim of the sink, (when placed within the frame), will be level and flush with the top surface of the countertop, (when countertop is installed). See diagram **2A** below.

### Under Mount Installation Note:

Ensure to install the support frame so that the top rim of the sink (when placed within the frame) is level and flush with top surface of the cabinet. (Top of sink rim must be flush and level with top of cabinet in order to obtain proper contact with the underside of the countertop). See diagram **2B** below.

## FLUSH MOUNT INSTALLATION

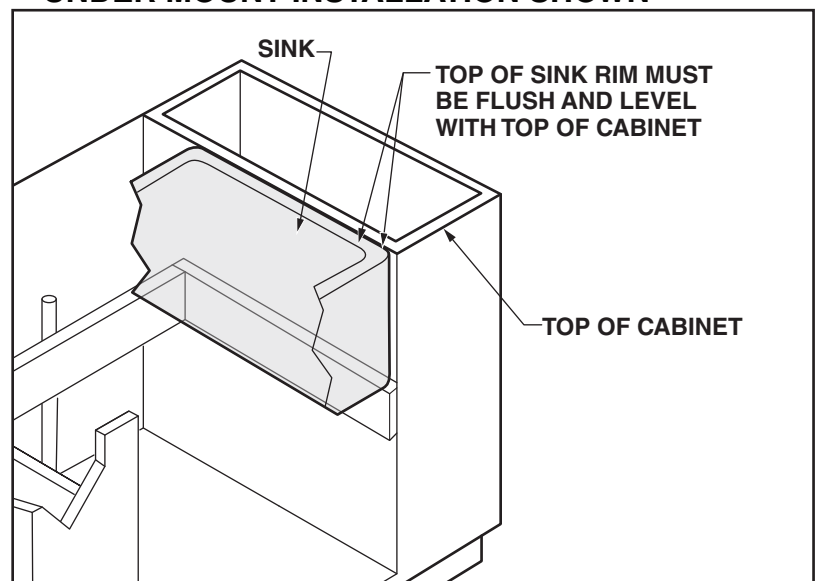


**2A**

### FLUSH MOUNT INSTALLATION

FRONT VIEW

## UNDER MOUNT INSTALLATION SHOWN



**2B**

### UNDER MOUNT INSTALLATION

FRONT VIEW

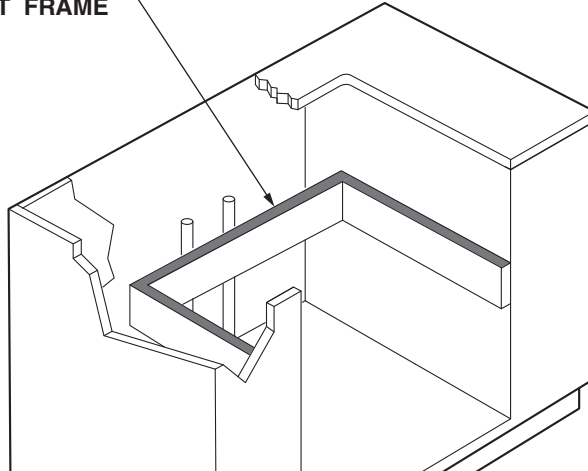
### 3 SINK INSTALLATION

**CAUTION:** Sink is heavy. For personal safety, use extra person for assistance with installation.

STEP 1. Carefully set the sink within the support frame and position in center of cabinet opening. If flush mounted ensure that the sink top rim surface is level and flush with the countertop top surface, (when countertop is installed - reference **Flush Mount Installation and 2A**). If under mounted ensure that the sink top rim is level and flush with cabinet top surface. Check clearance around sink apron and ensure sink is centered within cabinet opening. Ensure sink base is making proper contact with support frame. Adjust or shim as needed to obtain proper sink position and fit. (Reference **Under Mount Installation and 2B**.)

STEP 2. Carefully remove sink and place a thin layer of sealant around top edge of support frame where the sink and frame will make contact. Then replace sink back into position. See diagram below.

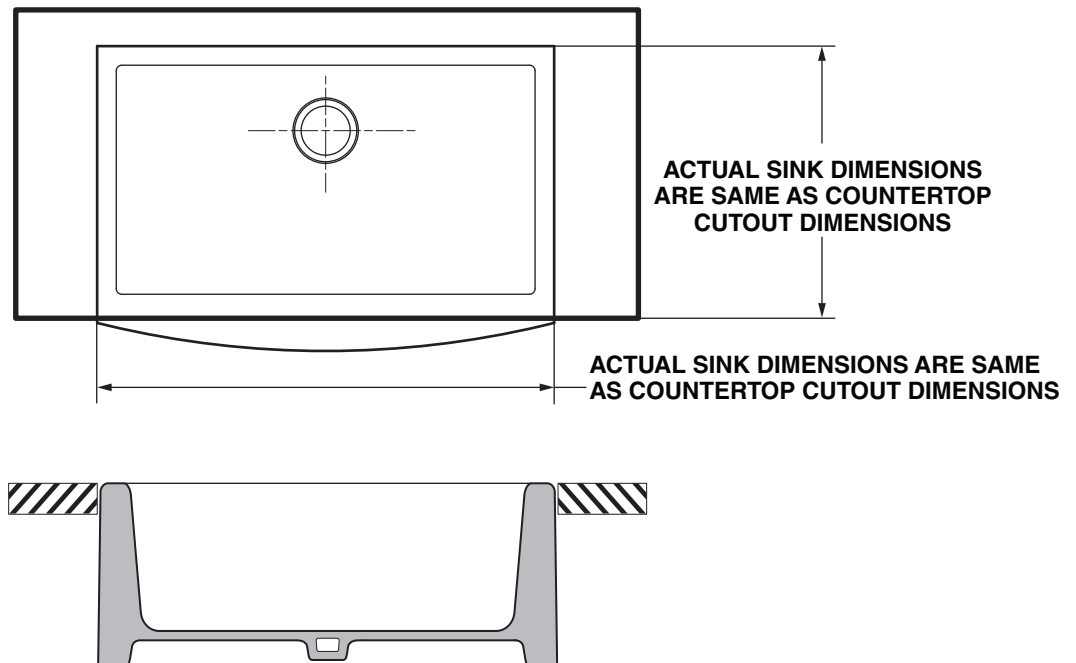
PLACE A THIN LAYER OF SEALANT AROUND  
TOP EDGE OF SUPPORT FRAME



### 4A Installing Countertop - Flush Mount Installation

Using carpenters square carefully measure and mark the location of the cutout opening in the countertop. Flush mount cutout opening is determined from the actual sink size. The cutout opening should equal the maximum dimensions of the sink to ensure a minimum gap between the sink and the countertop opening.

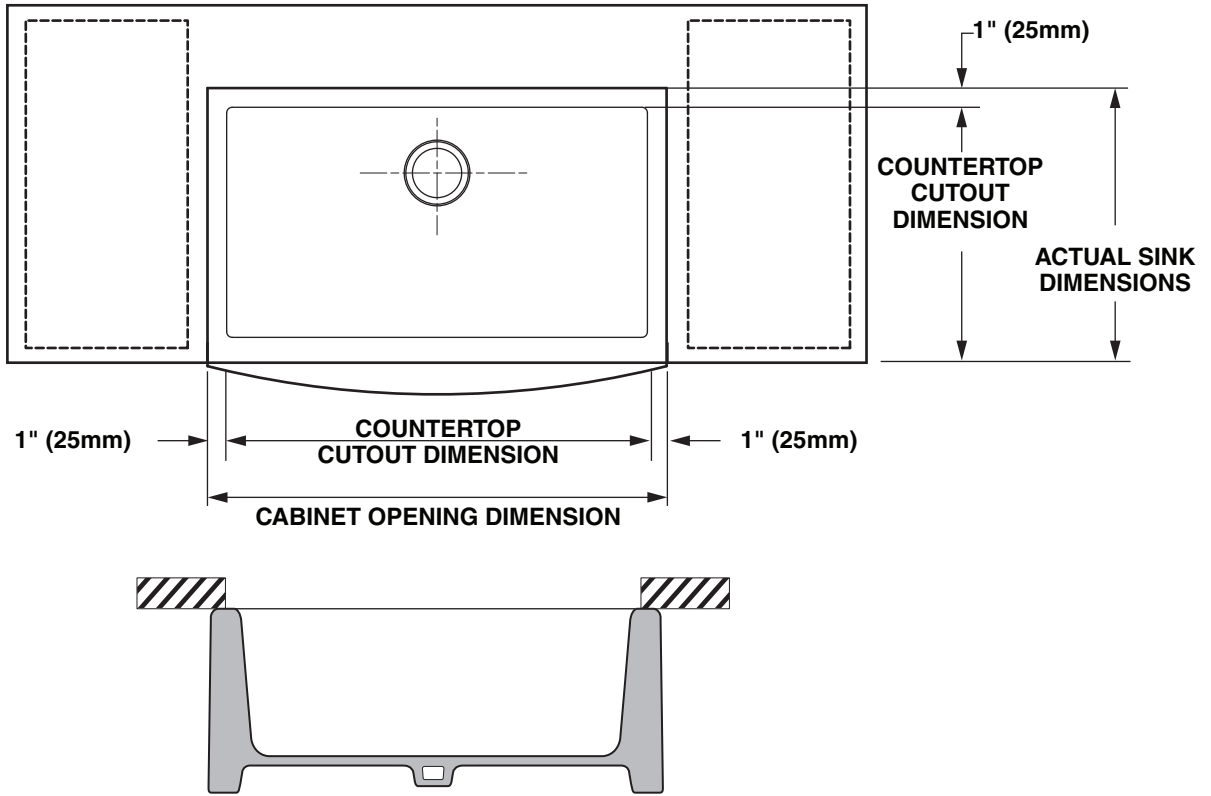
**Note:** Check dimensions on first page as a reference and measure the sink being installed.



## 4B Installing Countertop - Under Mount Installation

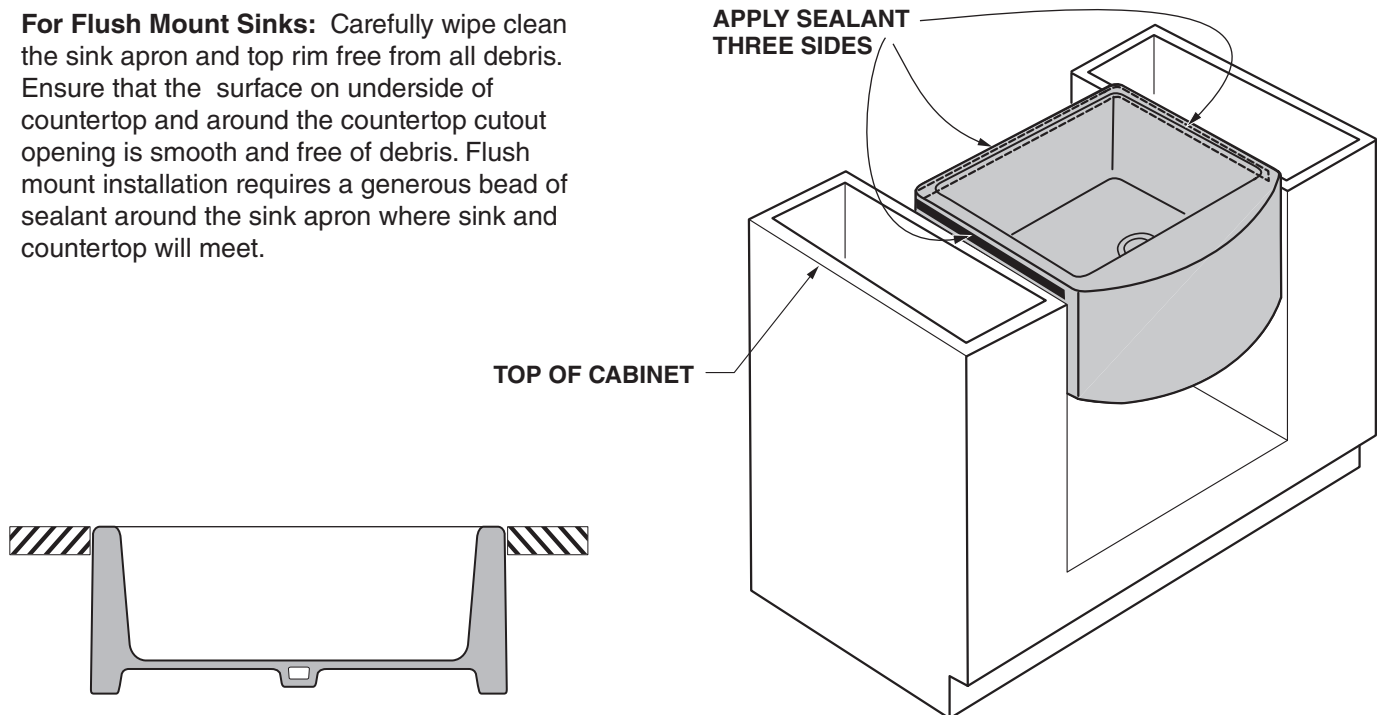
Under mount cutout opening is determined by cabinet opening and should be 1" (2.5mm ) smaller than the cabinet opening on the sides and from back of sink apron. Carefully cut out the countertop opening, opening must be adequately finished and sealed to prevent damage from water absorption.

**Note: Check dimensions on first page as a reference and measure the sink being installed.**



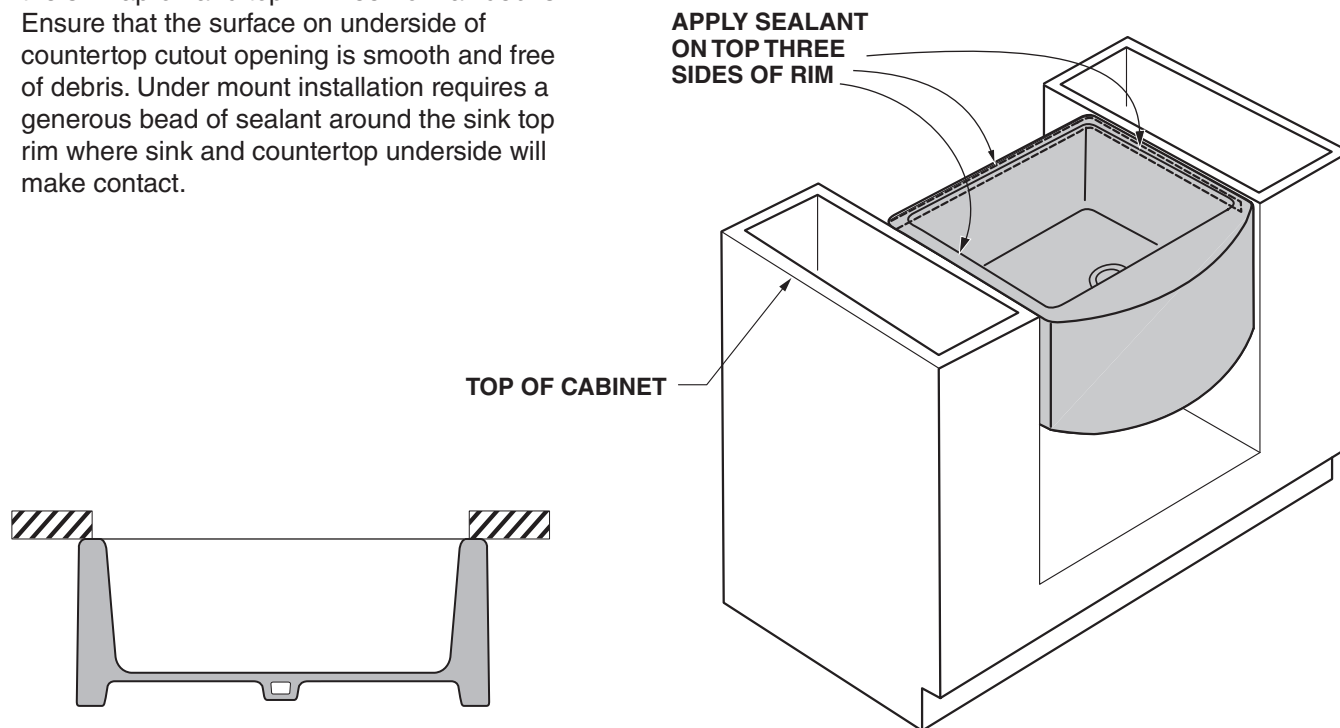
## 5A APPLY SEALANT

**For Flush Mount Sinks:** Carefully wipe clean the sink apron and top rim free from all debris. Ensure that the surface on underside of countertop and around the countertop cutout opening is smooth and free of debris. Flush mount installation requires a generous bead of sealant around the sink apron where sink and countertop will meet.



## 5B APPLY SEALANT

**For Under Mount Sinks:** Carefully wipe clean the sink apron and top rim free from all debris. Ensure that the surface on underside of countertop cutout opening is smooth and free of debris. Under mount installation requires a generous bead of sealant around the sink top rim where sink and countertop underside will make contact.

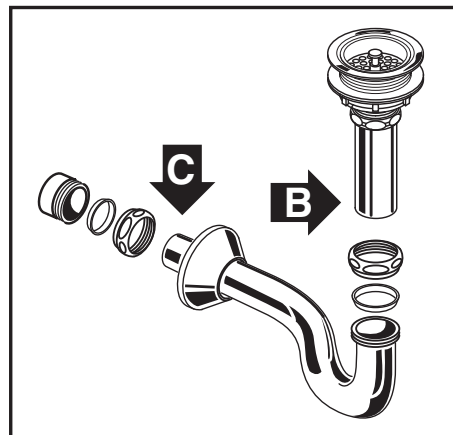


## 6 INSTALL COUNTERTOP

Carefully position and install the countertop. Ensure the sealant provides a complete seal between the sink and the countertop surface. Fill any voids and wipe excess away with soft damp cloth.

## 7 ASSEMBLE AND INSTALL P-TRAP (not included) AND DRAIN CONNECTIONS

Assemble and install P-trap drain connections in accordance with manufacturer's instructions. Connect trap to drain assembly hand tight to check alignment. It may be necessary to cut off part of the tailpiece (area "B") or part of the horizontal leg of the trap (area "C"). Secure joints for watertight assembly.



## 8 INSTALL FAUCET (not included)

Carefully locate and install faucet to countertop in accordance with manufacturer's instructions. Ensure you provide adequate clearance for supply lines and faucet operation.

Connect supply lines to shutoff valves. Turn on water supply valves and water-test installation.

## MAINTENANCE FOR STAINLESS STEEL SINKS:

To keep the original quality of your Stainless Steel Sink, we recommend regular cleaning. Use a mild liquid dish detergent and water to clean the product after use. Rinse carefully and dry.

## PLEASE HAVE THE FOLLOWING IN MIND:

- Do not let water or other liquids dry on the product. Liquids that are left to dry leave a grey build-up stain on the steel.
- Stainless steel can stand hard treatment, but sharp objects can easily scratch the surface. These scratches are more visible when the product is new. After a period of use these marks will be smoothed out without the product losing its luster.
- Never use scouring powder or steel wool to clean the surface. Apart from the risk of scratches, there is also a risk that rust stains will attack the steel.
- Avoid Chlorine-based solutions from coming into contact with the stainless steel.
- Silver polish leaves spots that cannot be removed.
- Acidic foods (e.g. juices, salt, mustard, mayonnaise, etc.) must be cleaned up immediately.

## DISCOLORATION

More stubborn spots are often caused by impurities in the water or household substances. These can be removed with special polish agents for stainless steel. Dull spots can become lustrous again if rubbed with chalk on a soft cloth.

## AS AMERICA, INC. LIMITED LIFETIME WARRANTY FOR STAINLESS STEEL SINKS

AS America, Inc. ("American Standard®") warrants to the original consumer purchaser of an American Standard stainless steel sink that it will, at its option, repair or replace such product if it is found by American Standard, in its sole judgment, to be defective under normal residential use, provided that it has been installed and maintained in accordance with American Standard's instructions. This limited warranty applies only to the initial installation and is not transferable from the original consumer purchaser. In the event of a limited warranty claim, proof of purchase will be required – **save sales receipt**.

This limited warranty does not apply to commercial installations. The warranty for commercial installations is three (3) years.

This limited lifetime warranty DOES NOT COVER the following:

Defects or damages arising from shipping, installation, alterations, accidents, abuse, misuse, environmental factors, lack of proper maintenance and use of other than genuine American Standard replacement parts, in all cases whether caused by a plumbing contractor, service company, the owner or any other person.

Deterioration through normal wear and tear and the expense of normal maintenance.

Commercial application.

Options and accessories. American Standard's limited warranty on these items is one year for parts only. This one year limited warranty covers accessories manufactured by American Standard against defects of material or workmanship. Limited warranty coverage begins on the date the accessory was originally purchased by the owner.

Postage or shipping costs for returning products for repairs or replacement under this limited warranty and labor or other costs incurred in connection with product removal or installation under this limited warranty.

ANY LIABILITY FOR CONSEQUENTIAL OR INCIDENTAL DAMAGES, INCLUDING LABOR, ALL OF WHICH ARE HEREBY EXPRESSLY DISCLAIMED, OR THE EXTENSION BEYOND THE DURATION OF THIS LIMITED WARRANTY OF ANY IMPLIED LIMITED WARRANTIES, INCLUDING THOSE OF MERCHANTABILITY OR FITNESS FOR AN INTENDED PURPOSE. IN NO EVENT WILL AMERICAN STANDARD BE LIABLE FOR THE COST OF REPAIR OR REPLACEMENT OF ANY INSTALLATION MATERIALS INCLUDING BUT NOT LIMITED TO TILES, MARBLE ETC. (Some jurisdictions do not allow limitations on how long an implied limited warranty lasts, or the exclusion or limitation of incidental or consequential damages, so these limitations and exclusions may not apply to you.)

Responsibility for compliance with local code requirements. (Since local code requirements vary greatly distributors, retailers, dealers, installation contractors and users of plumbing products should determine whether there are any code restrictions on the installation or use of a specific product.)

This limited warranty gives you specific legal rights. You may have other statutory rights that vary from state to state or from province to province, in which case this limited warranty does not affect such statutory rights.

### In the United States:

American Standard Brands  
1 Centennial Ave.  
Piscataway, New Jersey 08854  
Attention: Director of Customer Care  
For residents of the United States, warranty information may also be obtained by calling the following toll free number: (800) 442-1902  
[www.americanstandard.com](http://www.americanstandard.com)

### In Canada:

LIXIL Canada, Inc.  
5900 Avebury Rd.  
Mississauga, Ontario  
Canada L5R 3M3  
Toll Free: (800) 387-0369  
[www.americanstandard.ca](http://www.americanstandard.ca)

### In Mexico:

American Standard B&K Mexico  
S. de R.L. de C.V.  
Via Morelos #330  
Col. Santa Clara  
Ecatepec 55540 Edo. Mexico  
Toll Free: 01-800-839-1200  
[www.americanstandard.com.mx](http://www.americanstandard.com.mx)